



VERSION 6.1

### WIRELESS SENSING EDGE SYSTEM

#### FEATURES:

- Provides wireless safety edge connection to operator.
- Self check feature that ensures proper operation at any door position.
- Microprocessor Based Programmable Electronics.
- Diagnostic LED's.
- Vibration/Motion Sensor- Extends the battery life by powering down the transmitter when there is no movement of the door.

#### APPLICATIONS:

- As a "Secondary Entrapment Device" for UL325/2010 operators as follows; (Liftmaster Logic 4.0, FDO-AU and FDO-BU, Micanan Logic 10 and Mechanical Operators, Cookson FDO-A10, MG Series and SGH operators. (It may be used with other operators manufactured prior to Aug 29,2010. Consult Version 6 manual for a list of compatible operators and wiring diagrams.
- (Requires a 4-wire sensing edge, or a 10K Ohm, 2-wire sensing edge. Not compatible with pneumatic or non-monitored type edges).

#### OPERATION:

- When Bottom Bar encounters an obstruction the Transmitter sends reversing signal to the Receiver, reversing the door. The unit has three self check features, which ensure that the sensing edge system is functioning properly. One: The unit periodically tests communication by sending a signal at regular intervals. If the Receiver fails to acquire the signal, a fault condition will occur. Two: Anytime the door is moving, the unit checks the condition of the edge 5 times per second, and reports the edge status to the receiver. If at any time the edge status is unsatisfactory, or communication fails, a fault condition will occur. Three: Low battery voltage will result in a fault condition. When a fault condition exists, the unit will convert the operator to constant pressure on close operation until the fault is corrected.

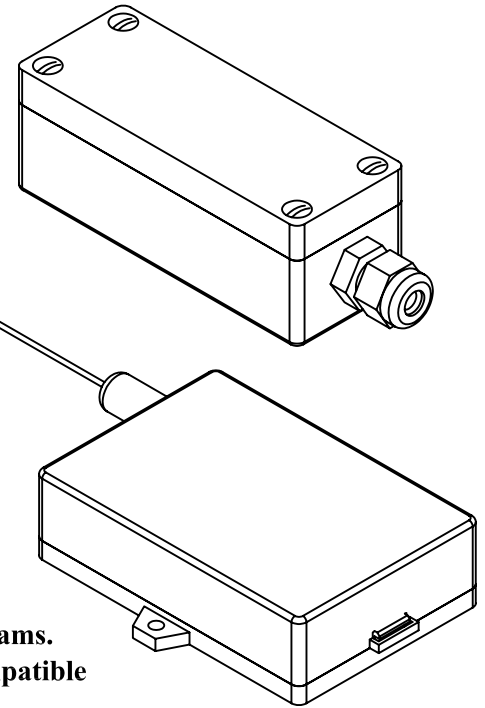
#### GENERAL SPECIFICATIONS:

##### TRANSMITTER (Mounted to Bottom Bar)

- Enclosure Rating: NEMA 4. (Polycarbonate)
- Enclosure: Transparent cover for LED viewing.
- Power: 9 Volt Lithium Battery.
- Expected Battery Life: 12 months - Normal usage.
- Cover Tamper Switch (Fault condition w/cover removed)

##### RECEIVER (Mounts to Operator)

- Power: 24 Volt AC or DC.
- Antenna Type: Coax Rigid Wire.
- Enclosure: Transparent cover for LED viewing.



PATENT NO. 6,225,768

