

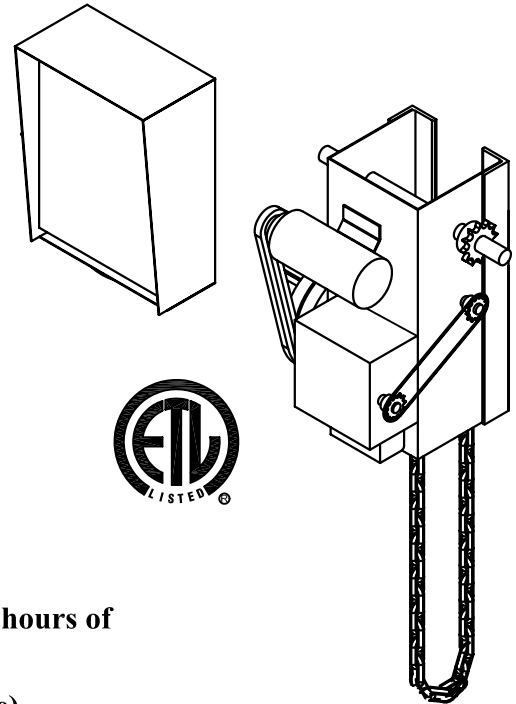
# COOKSON JH-D MOTOR OPERATOR

## BATTERY BACK UP - BELT DRIVE OPERATOR

**Motor: 1/2 HP, 24VDC. (115 VAC Power Supply required)**

**Motor Enclosure: Nema 1.**

**Wall Mounted Solid State Controller. (Nema 3R)**



### Onboard Electrical Features:

- **Input Voltage: 115VAC.**
- **Current: 2.5 Amps.**
- **Battery Management System.**
- **15 LED's for easy setup & troubleshooting.**
- **Open obstruction (Wireless Interlock).**
- **Battery Capacity: Max 30 min run time with up to 72 hours of standby time during power loss.**
- **Auto Rise functions on power loss or alarm (Selectable).**
- **Timer to close.**
- **Outputs for audible and visual warning devices (24VDC only).**

### Mechanical Features:

- **Centrally located Emergency Hand Chain w/ cable release.**
- **Up to 15 cycles per hour.**
- **Motor can be removed without effecting limits & hand chain operation.**
- **DC Motor Brake.**
- **Adjustable Friction Clutch.**
- **Roller ball bearings on shafts.**

### Optional Features:

**Safetyedge, radio controls, photo eyes, loop detectors, card readers and keypads.  
(Unit will not work with Phantom Edge.)**

### For Use With Door Types:

**Service Door, Grilles and Counter Doors.**

### Mounting:

	Service Doors	Grilles	Counter Doors
Vertical Bracket Mount	XXX	XXX	
Wall Mount	XXX	XXX	XXX

**Door Size Limitations: Same as standard 1/3 HP Belt Drive.**

**NOTE: Operator is limited to only the standard & optional features listed above.**