

□ FIREFLY II PLUS

Fire door release device w/ Battery Backup

FEATURES:

- Solid State Fail Safe Operation
- 72 Hour Battery Back Up
- Diagnostic LED's
- Down Limit Detection (Motor Operated Doors)
- Supports up to 4 Auxiliary Devices
- Adjustable 0-10 sec. Delay on Alarm Response Release

APPLICATIONS:

- For use on all service fire and counter fire doors w/release arm drop out.
- GH, H and GH Operators w/ B2 wiring (modification req'd, see below).

OPTIONS:

- Smoke Detector(s)
- Sounder Strobe (strobe light & horn)

OPERATION:

Upon activation of alarm system and/or smoke detector the unit will initiate delay up to 10 sec before mechanically releasing the unit. In a power outage situation the battery will power the unit and will not release unless there is an alarm condition or battery becomes discharged. Motor operated doors may use the down limit detection feature which will prevent release if the door is in the closed position.

LABELING AGENCY:

- UL
- ULC
- Ca State Fire Marshall

MODIFICATIONS:

Motor operators will require an auxiliary closed limit switch for down limit detection.

TECHNICAL SPECIFICATIONS:

DIMENSIONS:

9 1/8" Ht. 9 1/8" Wide 4 3/4" Dpth.
Weight: 13 lbs.

MOUNTING:

Surface only. Unit must be mounted in the vertical or horizontal position near the release arm of the door. Cable or sash pull must be at 90° to the unit.

ELECTRICAL CONNECTION:

See Figure on following page.

ELECTRICAL REQUIREMENTS:

INPUT VOLTAGE	VOLTAGE REQUIREMENTS	CURRENT REQ'D SUPERVISORY*	CURRENT REQ'D ALARM CONDITION
120 VAC	120VAC ± 10%	0.10 A	0.5 A
24 VAC	24VAC ± 10%	0.10 A	0.5 A
24 VDC	24VDC ± 5%	0.10 A	0.5 A

*NOTE: Initial power up in rush current not to exceed 3 times rated current

INITIATING/DOOR INPUTS (dry contacts)

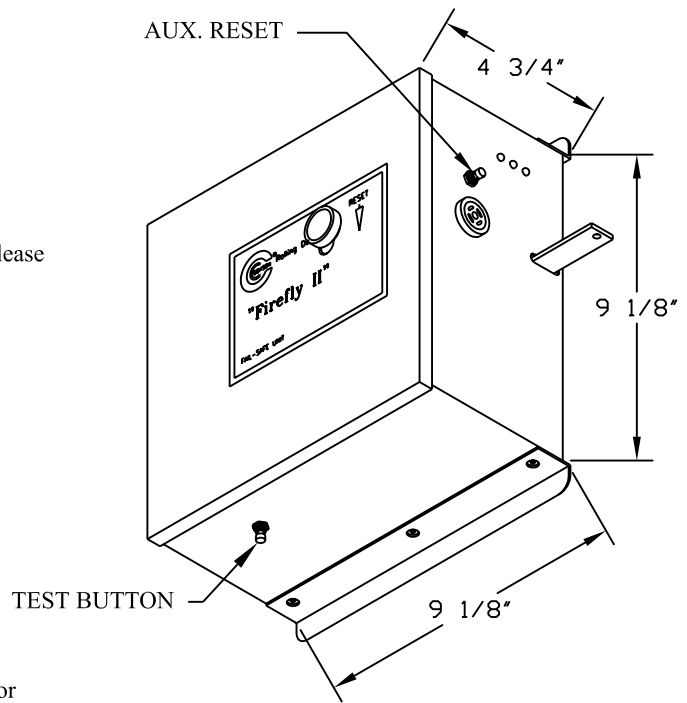
Maximum loop resistance 100Ω
Maximum Current: Not to exceed 0.002 A
Maximum Voltage: 15 VDC

AUXILIARY INPUTS

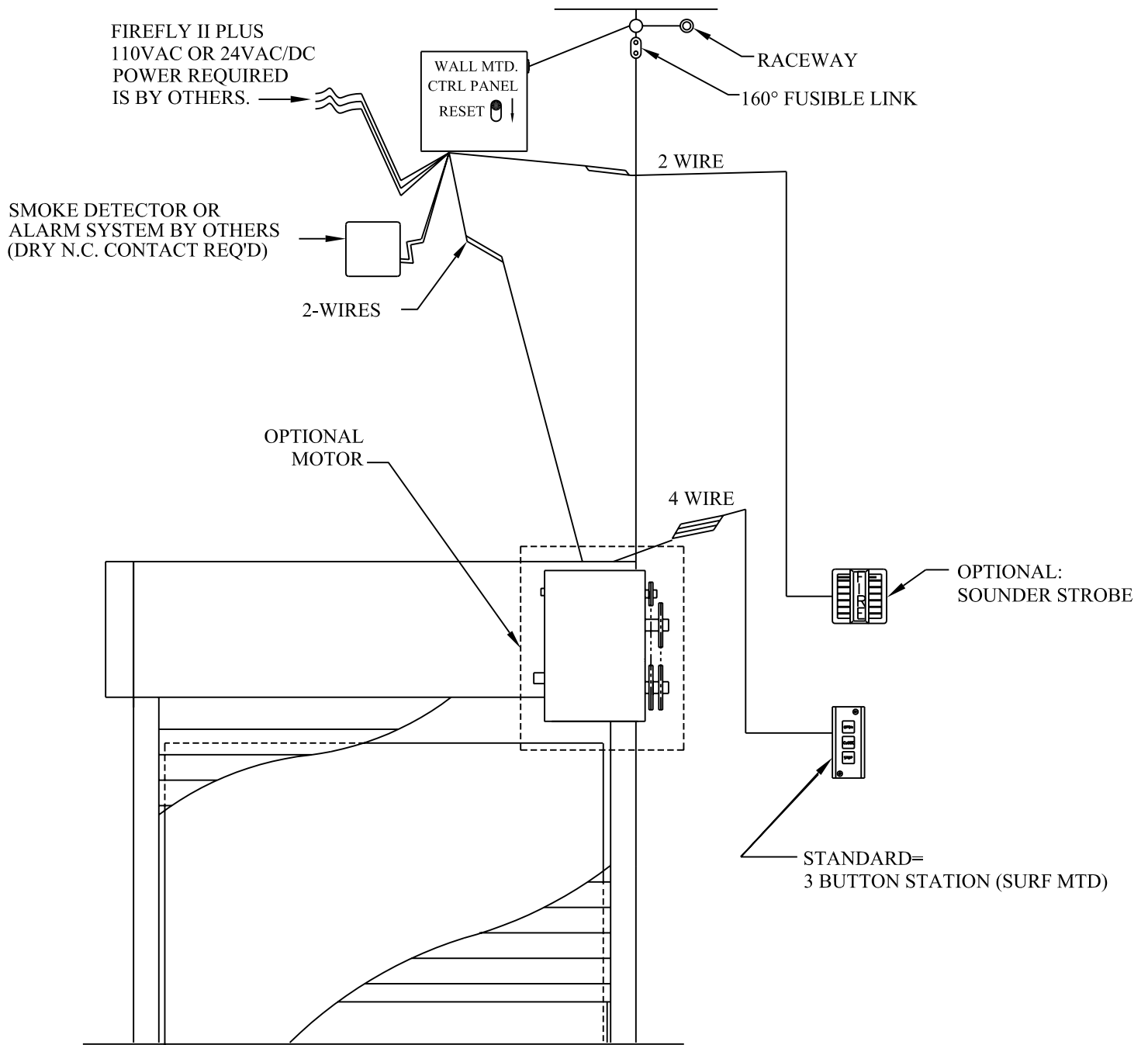
12VDC @ 0.250 A

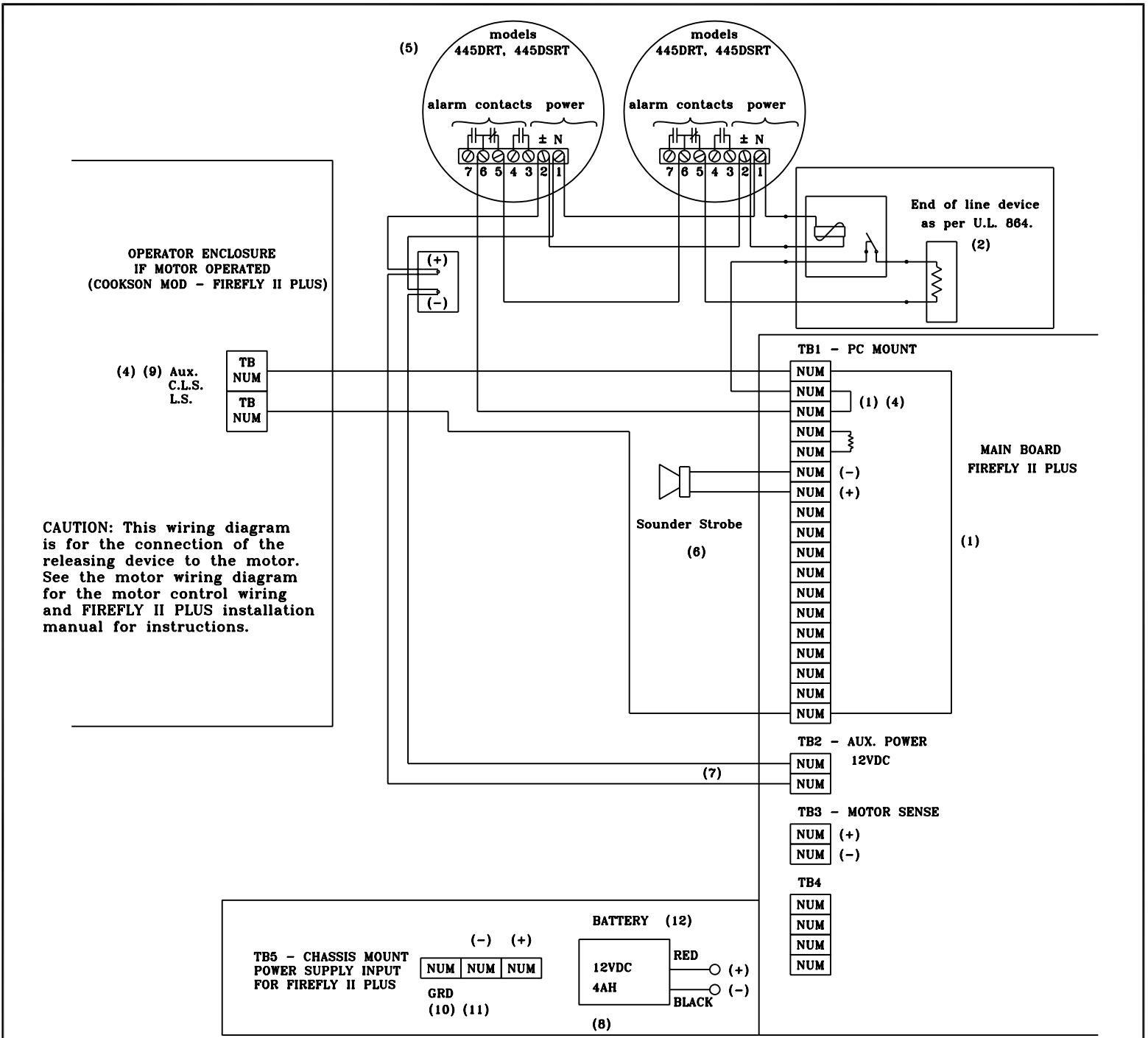
BATTERY

12VDC 4.0 AH



FIREFLY II PLUS RELEASE DEVICE WIRING CONFIGURATION





NOTES:

INSTALLATION INSTRUCTIONS MUST BE FOLLOWED TO ASSURE PROPER INSTALLATION.

1. Factory installed jumpers: Remove when connecting to N/C alarm device.
2. Supervisory device required per U.L. 864.
3. All fuses 1A @ 250V, 2AG fast acting.
4. Maximum loop resistance 100 ohms.
5. See NFPA 80 and NFPA 72-1993 for proper placement of detector.
6. If unit contains factory installed voice module option refer to voice module connections. DO NOT connect speaker to TB1 6&7.
7. Aux. 12VDC power for smoke detector or aux. device.
8. Battery should not be connected until testing of unit is performed.
9. Aux. L.S. must activate before operator L.S. must be dry contact.
10. Class 1 circuits must enter through proper opening. See fig. 1A.
11. Verify power source matches release device label on enclosure.
12. Battery should not be connected until testing of unit is being performed.

ENGINEER APPROVAL	REPLACES: 9-9010-01 REV 2	DIMSCALE: 1		JOB #:	
	ECN: 06552	REVISION		DOOR MARKS:	
BY:	ORIG. DRAWN DATE: UNKNOWN	DATE: 09/25/97	PAGE 1 OF 1	PART/DWG. NO.: 9-9010-01	
DATE:	BY: UNKNOWN	BY: DAM		REV.:	