





**Product Directories | Warnock Hersey Mark**

[Click here to view our products that bear the Warnock Hersey Mark](#)

	   	<p><b>Directory of Listed Products</b></p> <ul style="list-style-type: none"> <li>Appliances - Commercial/Consumer</li> <li>Building Materials</li> <li>Classified Equipment</li> <li>Commercial Cooking Equipment</li> <li>Electrical Utilization/Industrial Equipment</li> <li>Fire Resistance Ratings</li> <li>Fire Suppression</li> <li>Gas &amp; Oil Fired Products</li> <li>Glazing/Glass</li> <li>Hazardous Location Equipment</li> <li>Heating/Ventilation/Refrigeration - Electrical</li> <li>IT/Telecom/Consumer Electronics</li> <li>Luminaires/Illuminating Equipment</li> <li>Machining Distributors</li> <li>Manufactured Wood Products</li> <li>Medical/Lab Equipment/Measurement</li> <li>Plumbing Products</li> <li>Recognized Components</li> <li>Sanitation Compliance</li> <li>Sealed Insulated Glass</li> <li>Solid Fuel Burning Equipment</li> <li>Surface Building Characteristics of Building Materials</li> </ul>

This information is provided as a convenience to our clients, safety officials and the public. Every effort has been made to ensure the complete accuracy of this information, however, omissions or errors may occur. Intertek Testing Services makes no warranty as to the accuracy or completeness of this information and assumes no liability for such errors and omissions. If you notice any omissions or errors, please notify us by e-mail at [dirlist@etlsemko.com](mailto:dirlist@etlsemko.com) or call our toll-free Listing Verification Hot Line at 1-888-347-5478

# DOORS - ROLLING STEEL

---

## COOKSON CO., INC. - Phoenix, AZ USA

---

Vertical Rolling, Steel Fire Door and Guide Assembly for installation in concrete, masonry, structural steel or gypsum board walls with 16 gauge minimum metal studs in 3 hour locations (May be furnished with Approved Gasketing Material) (Model Nos. FD, FD1, FD2, FD3, FD4, FD5)\*.

Vertical Rolling, Steel Service Counter Fire Door for installation in concrete, masonry, structural steel or gypsum board walls with 16 gauge minimum metal studs in 1-1/2 hour locations (May be furnished with Approved Gasketing Material) for Smoke & Draft Control Rating (Model No. FD10)\* (May be furnished with optional stainless steel trim).

### ▼ Evaluated to the following...

Unless otherwise noted, assemblies in this section have been evaluated for conformance to the following standards:

ASTM E-152, Methods of Fire Tests of Door Assemblies

CSFM 43.7, Methods of Fire Tests of Door Assemblies

CAN4-S104(ULC-S104), Standard Method for Fire Tests of Door Assemblies

NFPA 252, Standard Methods for Fire Tests of Door Assemblies

UBC 7-2-94, Uniform Building Code

UL 10(b), Fire Tests of Door Assemblies

and are installed in accordance with the following:

NFPA 80, Fire Doors & Windows

Manufacturer's Instructions.

All assemblies are identified by a label or marking bearing the wording, "Listed (Products)", a time interval, temperature rise (if applicable), a serial number and the WHI Certification Mark.

(Unless otherwise specified, all Fire Doors have a nominal thickness of 1-3/4".)



# Inchcape Testing Services<sup>SM</sup>

## Warnock Hersey

Warnock Hersey, Inc.  
 550 Garcia Ave.  
 Pittsburg, CA 94565  
 Telephone (510) 432-7344  
 Fax (510) 432-5576

### COOKSON COMPANY ----- FD1 - FD6 FIRE DOOR LISTING SUMMARY

PRODUCT NAME	LABEL HOURS	JAMB WIDTH	JAMB HEIGHT	APPROVED WALL CONSTRUCTION
FD1 - FD6 Mounted to 4 hour wall	4	36' - 6"	24' - 0"	NOTE-1 / NOTE-2

#### NOTE - 1 WALL CONSTRUCTION:

Concrete, Concrete Block, Masonry Units, Structural Steel ----- Guides shall be secured to Structural Steel with Machine Bolts or Welded per Listed Procedure.  
 ----- See NFPA 80 and Installation Instructions For Details.

#### NOTE - 2 WALL CONSTRUCTION:

Rated Gypsum Wall with Structural Steel ----- See Details Below For Approved Jamb Construction.

#### NOTE - 3 GASKETING:

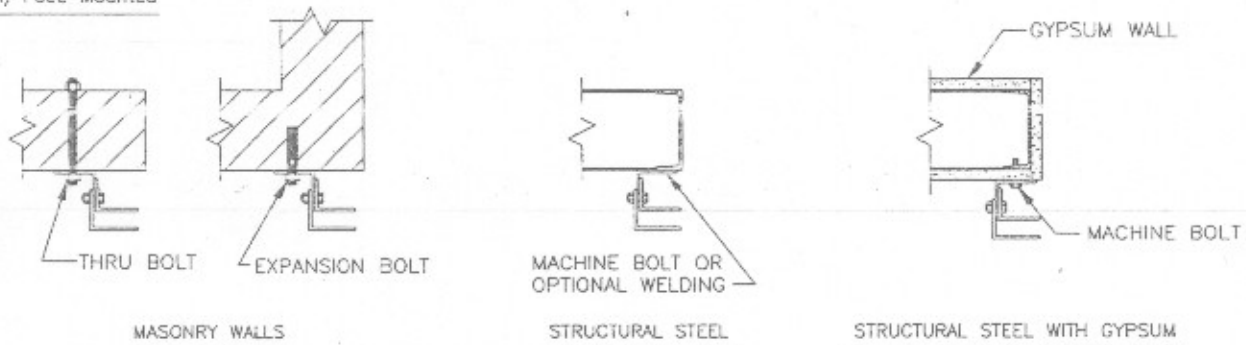
Fire Doors May Be Provided With Approved Gasketing. If Gasketing Is Provided, Fire Door Will Be Rated At 1-1/2 Hours.

#### NOTE - 4 VIEW LIGHT:

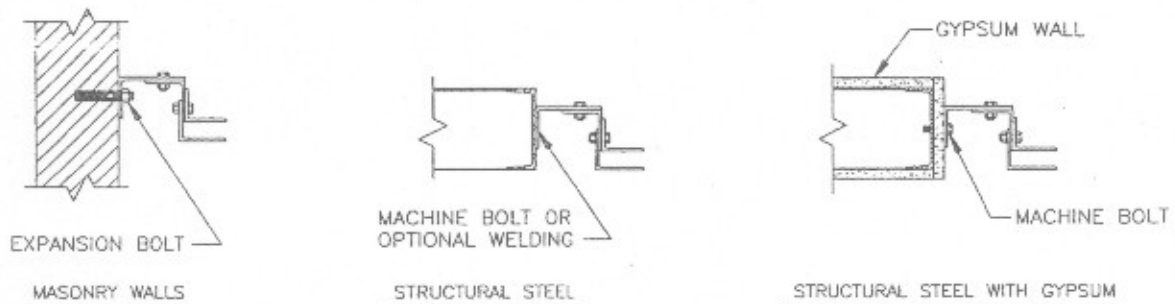
Fire Doors May Be Provided With (1) View Light. If View Light Is Provided, Rating Will Be 45 Minutes Only.

JAMB CONSTRUCTION and MOUNTING DETAILS for Face Mounted and Between Jamb Mounted Fire Doors.

#### (A) Face Mounted



#### (B) BETWEEN JAMB MOUNTED



The above information is a summation of the listing features of Cookson Company Fire Doors as listed by Warnock Hersey Incorporated as of Nov. 30, 1995.

George Meyer P.E.

*George P. Meyer*  
 General Manager and Chief Engineer



COOKSON COMPANY ----- FD10 FIRE DOOR LISTING SUMMARY

PRODUCT NAME	LABEL HOURS	JAMB WIDTH	JAMB HEIGHT	APPROVED WALL CONSTRUCTION
Rolling Steel Fire Door W/Out Light	1-1/2	8' - 0"	9' - 0"	NOTE-1 / NOTE-2
Rolling Steel Fire Door With Light	3/4	8' - 0"	9' - 0"	NOTE-1 / NOTE-2
Service Counter Fire Door W/Out Light	1-1/2	8' - 0"	6' - 0"	NOTE-1 / NOTE-2
Service Counter Fire Door With Light	3/4	8' - 0"	6' - 0"	NOTE-1 / NOTE-2

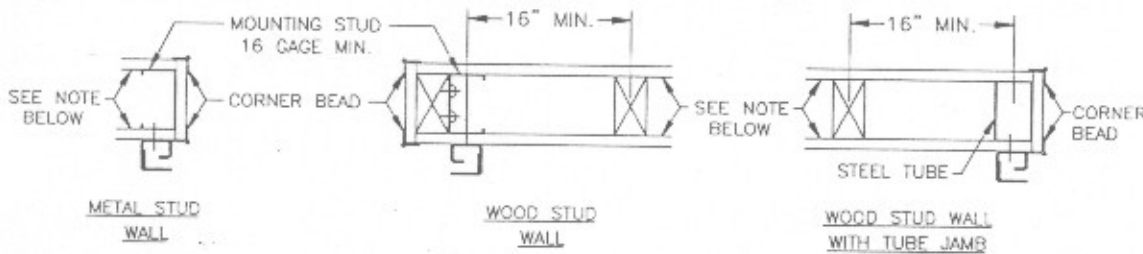
NOTE - 1 WALL CONSTRUCTION:  
Concrete, Concrete Block, Masonry Units, Structural Steel. -----  
----- See NFPA 80 and Installation Instructions For Details.

NOTE - 2 WALL CONSTRUCTION:  
Rated Gypsum Wall with Metal or Wood Studs -----  
----- See Details Below For Approved Jamb Construction.

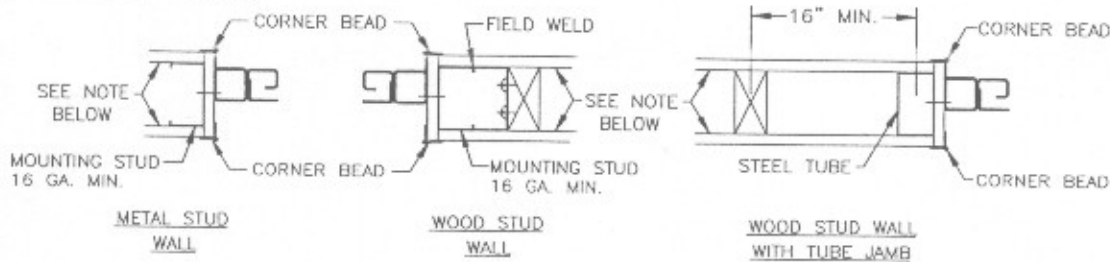
NOTE - 3 GASKETING:  
Doors May Be Provided With Approved Gasketing For 1-1/2 Hour Rating.

JAMB CONSTRUCTION and MOUNTING DETAILS for Face Mounted and Between Jamb Mounted Fire Doors attached to RATED Gypsum Board Walls.

(A) Face Mounted



(B) Between Jamb Mounted



NOTE: No. of Gypsum Wallboard plys and thickness depends on wall's hourly rating. Mounting Stud or Steel Tube must be continuous from floor to structure above and be suitably braced above the door.

The above information is a summation of the listing features of Cookson Company Fire Doors as listed by Warnock Hersey Incorporated as of Nov. 30, 1995.

George Meyer, P.E.  
*George E. Meyer*  
General Manager and Chief Engineer