

EVERGARD™ TUBE MOTOR OPERATOR

Battery Backup BBU Tube Motor

The EverGard Tube Motor operator is ideal for openings with tight clearances around the coil area, when you need to neatly conceal the drive components without adding a bulky motor cover and for door control during a loss of power.

STANDARD FEATURES AND BENEFITS

- ▶ Totally Enclosed Non-Ventilated (TENV) motor
- ▶ AC/DC input powers auto switching
- ▶ Auto-Recharge Battery
- ▶ In the event of a power outage, the integrated battery backup will allow operation for up to 10 cycles in a 48 hour time period
- ▶ UL 325 compliant
- ▶ Non-resettable cycle counter
- ▶ Programmable battery self testing
- ▶ Remote Programmable Control Box comes standard with 12ft of cable*
- ▶ Speed Governor to prevent free fall
- ▶ Programmable CONSTANT or MOMENTARY contact open and close
- ▶ Continuous monitoring sensing edge device ELR/IR connecting points
- ▶ Selectable “Auto-Open” or “Stay in Position” function if BBU reaches critically low voltage
- ▶ Selectable “Auto-Open” or “Stay in Position” function at AC power loss
- ▶ Abnormal power warning LED with selectable audible alert

*The control panel can be installed up to 100' away from the operator as an option, but it may require factory installation

TECHNICAL SPECIFICATIONS

Input Voltage.....120 VAC
 Activation Input.....24 VDC
 Phase.....1
 Duty.....10 cycles / day

STANDARD COMPONENTS

BRAKE - Maintenance free, solenoid actuated brake that are speed governed to prevent free fall.

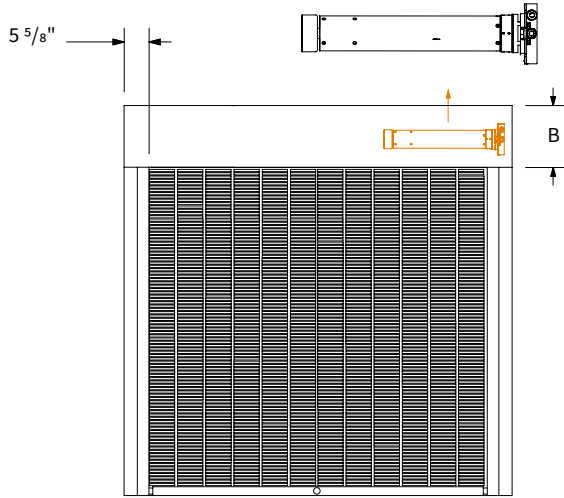
EXTERNAL BATTERY INDICATOR - Backlight flashes when power is abnormal

OPTIONAL COMPONENT

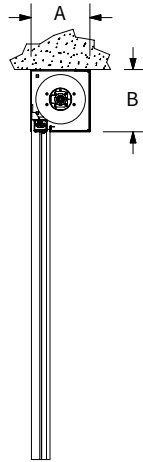
GUIDE MOUNTED INTERLOCK - The EverGard Tube Motor operator, features a guide mounted interlock system to prevent damage to the door and operator when the door is locked.



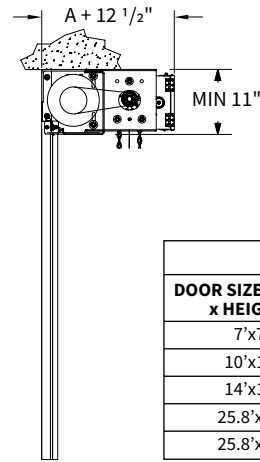
TUBE MOTOR FRONT VIEW



TUBE MOTOR SIDE VIEW

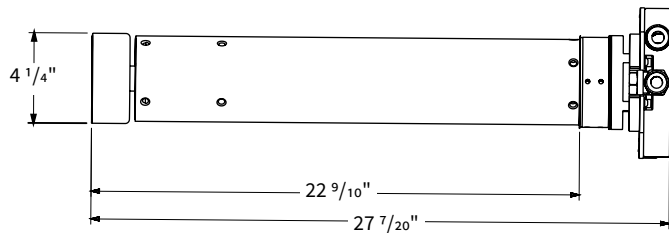


FRONT MOUNTED MOTOR SIDE VIEW

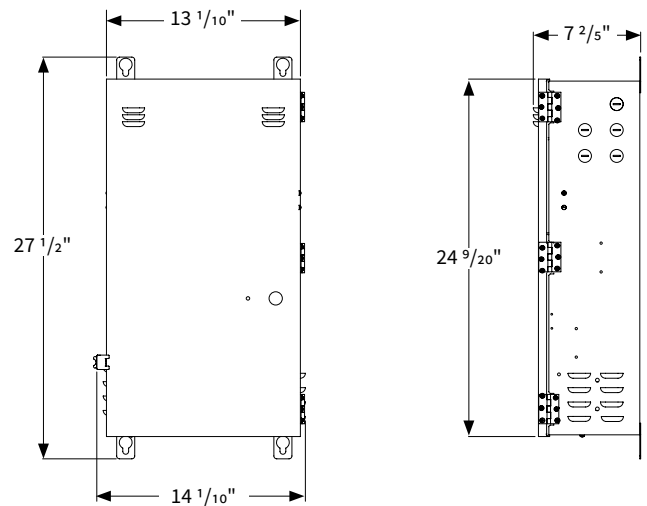


DOOR SIZE WIDTH x HEIGHT	LAGO		TIGRIS	
	A	B	A	B
7'x7'	10.5"	9.5"	10.5"	11"
10'x10'	10.5"	10"	11"	11"
14'x14'	10.5"	10"	11"	12"
25.8'x16'	11"	12"	11.5"	13"
25.8'x20'	13"	14"	14"	15"

TUBE MOTOR FRONT



MOTOR CONTROL PANEL



BATTERY INDICATOR

