

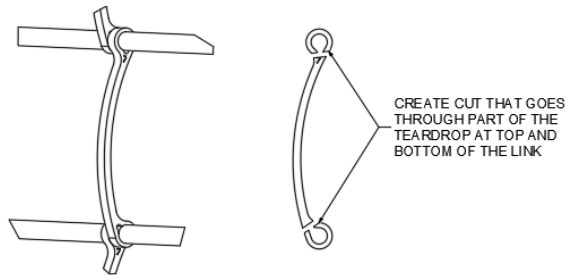
MicroCoil Snap-On Repair Link Quick Install Manual

Caution: Curtain end links must be replaced with original closed teardrop links and may not be replaced with Snap-On Repair Links. To replace end links please refer to the Curtain Repair section in complete installation instructions ES-424, ES-425, ES-426 & ES-42. No more than ten (10) Snap-On Repair Links may be installed next to each other.

STEP 1:

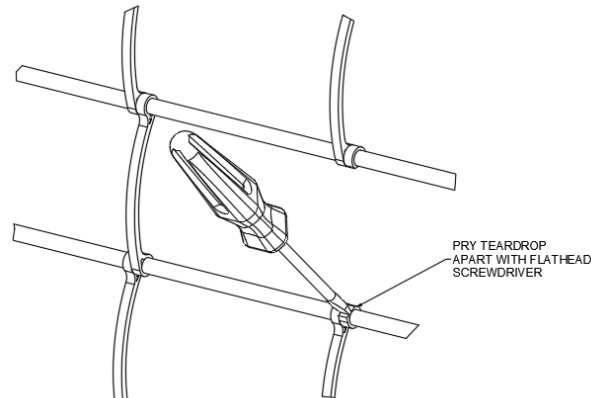
Cut the link web at the top and bottom near the opening of the teardrop section using a 2"-3" angle grinder cut off wheel.

Note: Using a lightweight cutting tool will make cutting easier. Make sure to prepare the area prior to cutting the web to prevent cutting other components.



STEP 2:

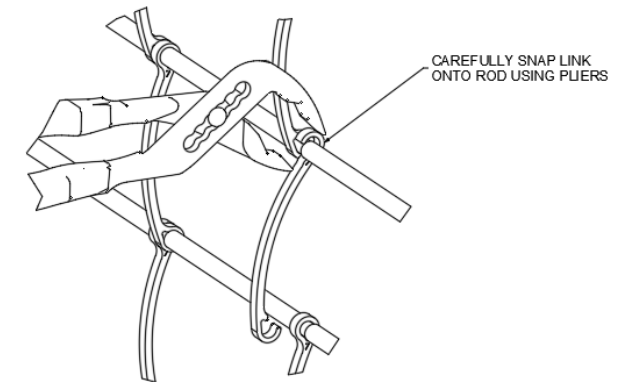
Remove the web by opening the link eye using a Flathead Screwdriver.



STEP 3:

Orient the Snap-On-Link in the same direction as the links beside it. Snap the top of the link onto the rod using pliers. Repeat with bottom of link.

Note: Link number should be topside and facing same direction as other links.



For further assistance, please refer to dealer resource center for complete installation instructions and/or instructional video.