

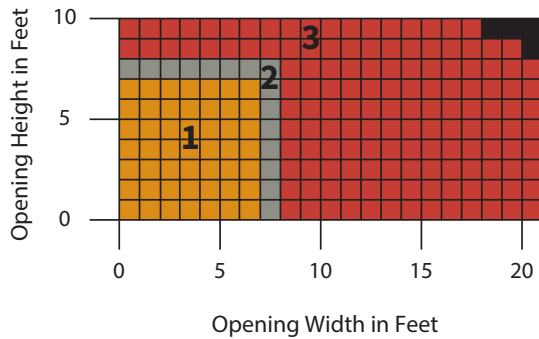
ROLLING COUNTER DOOR

# ROLLING COUNTER DOOR

Model ESC10

## MEASURE THE WIDTH AND HEIGHT OF THE OPENING

### DOOR SIZE AND AREA\*



\*Chart based on 22 gauge steel slats with tube motor operation

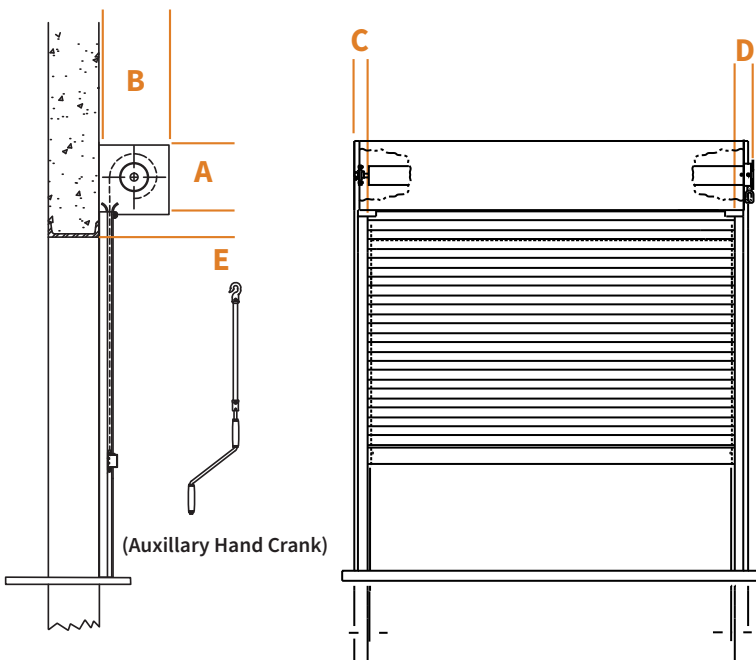
Dimensions in Inches

### COMPONENT DIMENSIONS

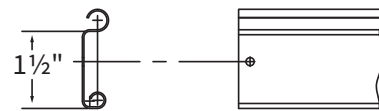
Reference the zone number to view component dimensions for tube motorized doors.

1	11	11	3	5	MIN UPSET BETWEEN 2"-5" DEPENDING ON CONFIGURATION
2	12	12	3	5	
3	13	13	3	5	

Zone A B C D E



### SLAT CROSS SECTION



The details and dimensions on this sheet are provided as a rough guide for planning purposes. Project specific details and dimensions are available by generating drawings from our website: [www.cornelliron.com/drawings](http://www.cornelliron.com/drawings)

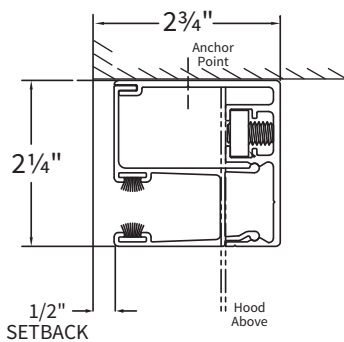
# ROLLING COUNTER DOOR **ROLLING COUNTER DOOR Model ESC10**

## GUIDE CONSTRUCTION OPTIONS

### EXTRUDED ALUMINUM

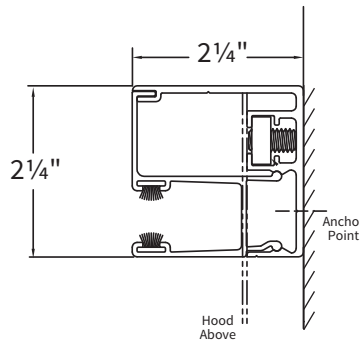
#### FACE OF WALL (ALL OPERATION TYPES)

Guides are mounted to the interior or exterior side of the wall.



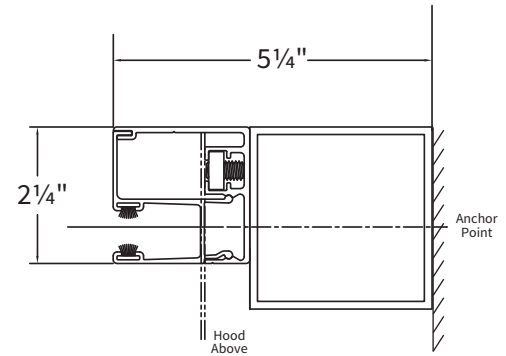
#### BETWEEN JAMBS (FOR PUSHUP)

Guides are mounted to the inside of the jamb.



#### BETWEEN JAMBS (FOR CRANK OR MOTOR)

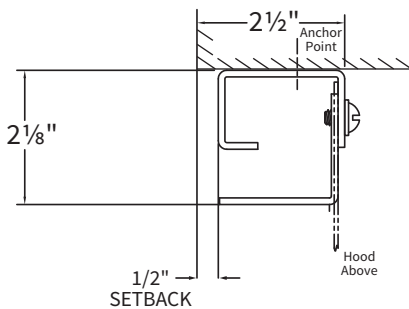
Guides are mounted to the inside of the jamb.



### STEEL

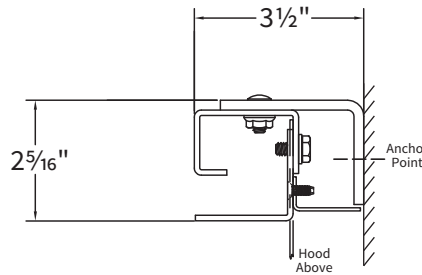
#### FACE OF WALL (ALL OPERATION TYPES)

Guides are mounted to the interior or exterior side of the wall.



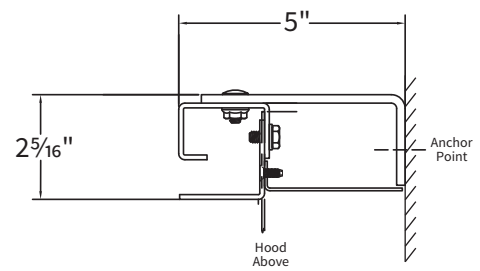
#### BETWEEN JAMBS (FOR PUSHUP)

Guides are mounted to the inside of the jamb.



#### BETWEEN JAMBS (FOR CRANK OR MOTOR)

Guides are mounted to the inside of the jamb.



The details and dimensions on this sheet are provided as a rough guide for planning purposes. Project specific details and dimensions are available by generating drawings from our website: [www.cornelliron.com/drawings](http://www.cornelliron.com/drawings)

## CUSTOM-DESIGNED SOLUTIONS

Our experienced Architectural Design Support Team can customize our products to fit your specific application. Call 800.233.8366 ext. 4551 • [architecturaldesignsupport@cornellcookson.com](mailto:architecturaldesignsupport@cornellcookson.com)