

OPERATIONAL WIND LOADED DOOR

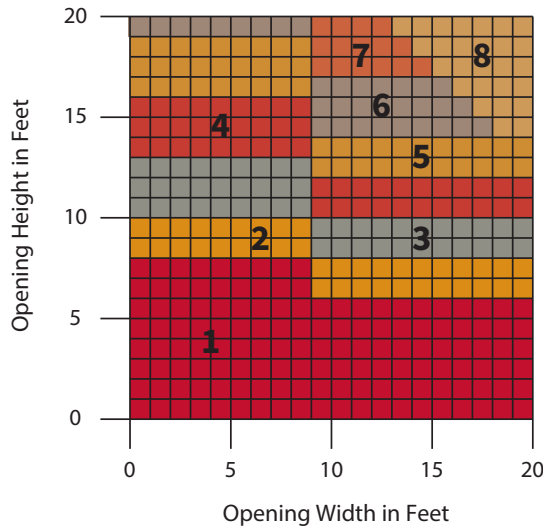
# WIND-MASTER® SERVICE DOOR

Model ESD10W

## MEASURE THE WIDTH AND HEIGHT OF THE DOOR OPENING

Wind-Master Service Doors meet an operational wind load of 20 PSF.

### DOOR SIZE AND AREA



### COMPONENT DIMENSIONS

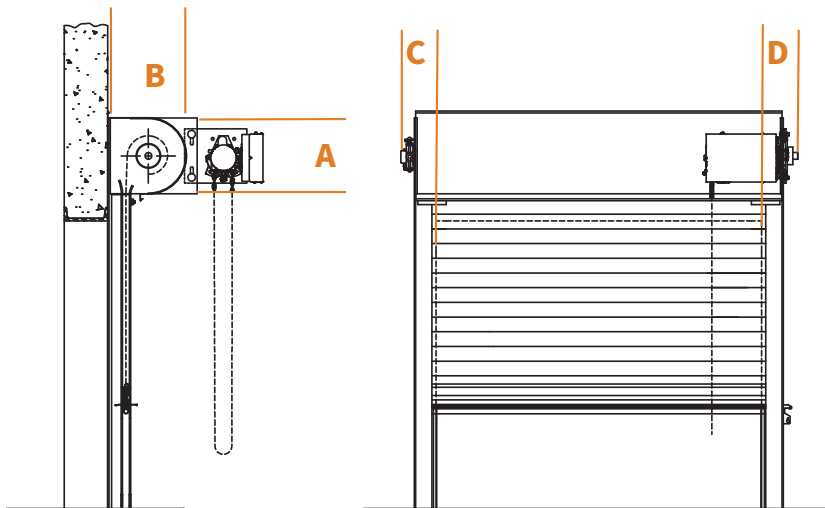
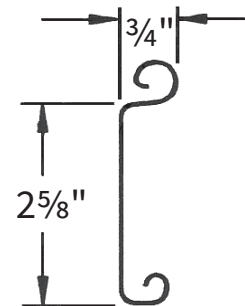
Reference the zone number to view component dimensions for motorized doors.

Zone	A	B	C	D
1	14	16	11	9
2	15	17	11	9
3	16	18	11	9
4	17	19	11	9
5	18	20	11	9
6	19	21	11	9
7	20	22	12	10
8	21	23	12	10

Dimensions provided are for a steel curtain, dimensions will differ for this model with a stainless steel curtain.

The dimensions featured on this sheet are provided as a guide. Please visit our website at [www.cornelliron.com/drawings](http://www.cornelliron.com/drawings) to generate drawings on demand with exact dimensions.

### CURTAIN SLAT DESIGN



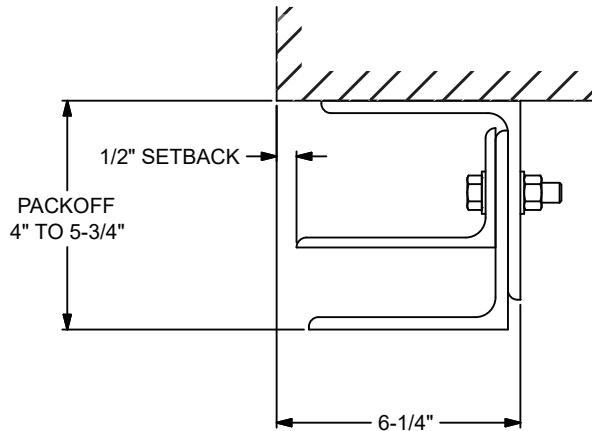
# OPERATIONAL WIND LOADED **WIND-MASTER SERVICE DOOR Model ESD10W**

## GUIDE CONSTRUCTION OPTIONS

### FACE OF WALL

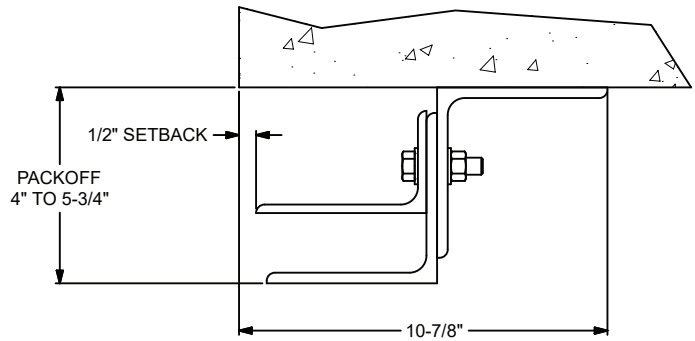
#### E GUIDE

Typically used with steel jamb

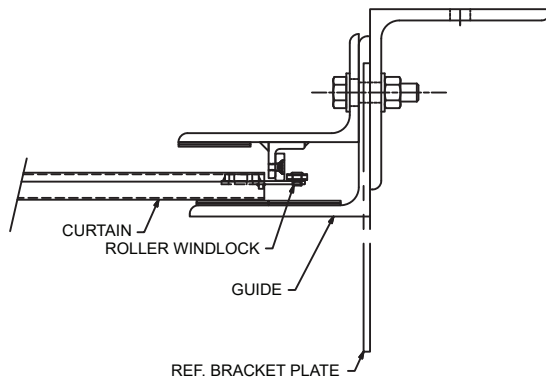


#### Z GUIDE

Typically used with masonry wall construction



#### ROLLER WIND-LOCK IN GUIDE



The details and dimensions on this sheet are provided as a rough guide for planning purposes. Project specific details and dimensions are available by generating drawings from our website: [www.cornelliron.com/drawings](http://www.cornelliron.com/drawings)

## CUSTOM-DESIGNED SOLUTIONS

Our experienced Architectural Design Support Team can customize our products to fit your specific application.

☎ 877.537.4567 ✉ [arch@cornellcookson.com](mailto:arch@cornellcookson.com)

800.233.8366 | [cornelliron.com](http://cornelliron.com)

CornellCookson, Inc. is an ISO 9001:2015 registered company

1.2025

**CORNELL**  
Innovative door solutions<sup>®</sup>