

VERTISTACK™ CLEAR DOOR

Model VS904N

MEASURE THE HEIGHT OF THE OPENING

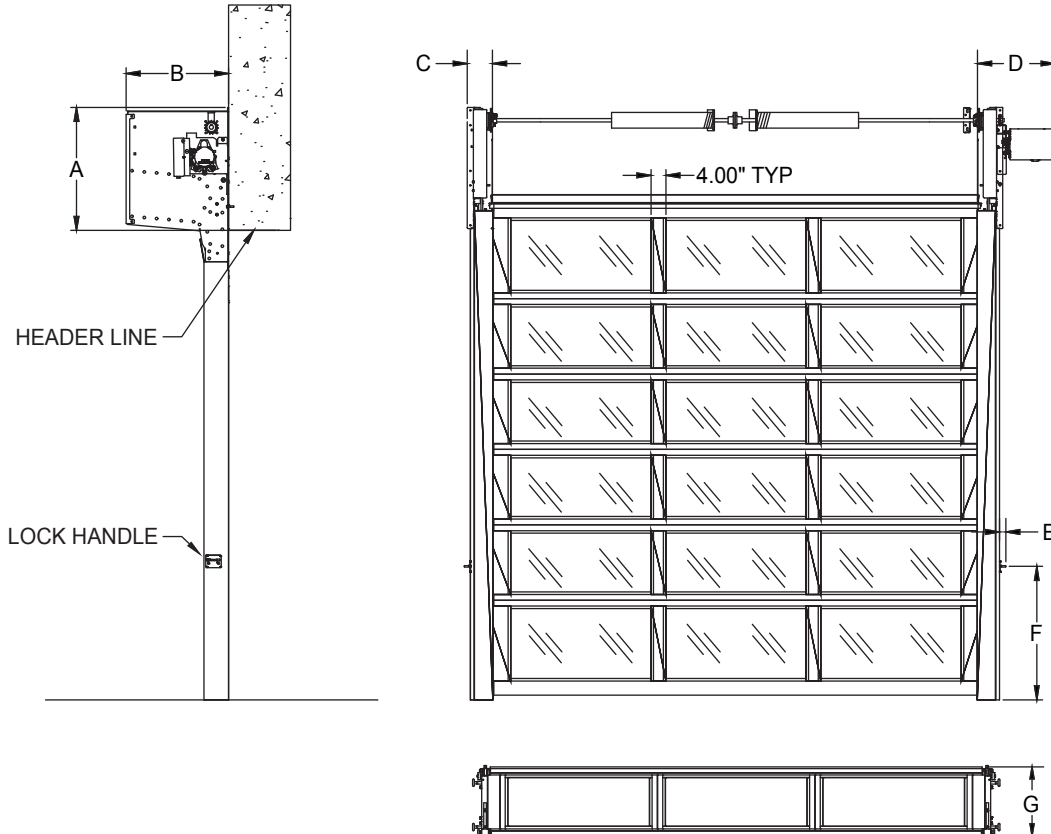
HEIGHT	A	B	C*	D**	E*	F***	G
4'	26.938"	12.500"	7.688"	23.5"	3.000"	12"****	14.500"
5'	30.938"	12.500"	7.688"	23.5"	3.000"	12"****	18.500"
6'	29.313"	15.500"	7.688"	23.5"	3.000"	40"	16.875"
7'	32.313"	15.500"	7.688"	23.5"	3.000"	40"	19.875"
8'	30.750"	18.500"	7.688"	23.5"	3.000"	40"	18.313"
9'	29.688"	21.500"	7.688"	23.5"	3.000"	40"	17.250"
10'	28.938"	24.500"	7.688"	23.5"	3.000"	40"	16.500"
11'	30.625"	24.500"	7.688"	23.5"	3.000"	40"	18.188"
12'	29.875"	27.500"	7.688"	23.5"	3.000"	40"	17.438"
13'	29.250"	30.500"	7.688"	23.5"	3.000"	40"	16.813"
14'	30.625"	30.500"	7.688"	23.5"	3.000"	40"	18.188"

*Actual dimensions provided. We recommend 12" of total side clearance from the opening on each side for installation and lock operation.

**Dimensions for side-mounted operator. Front and top mounts are also available.

***Lock handle height

****12" For counter applications



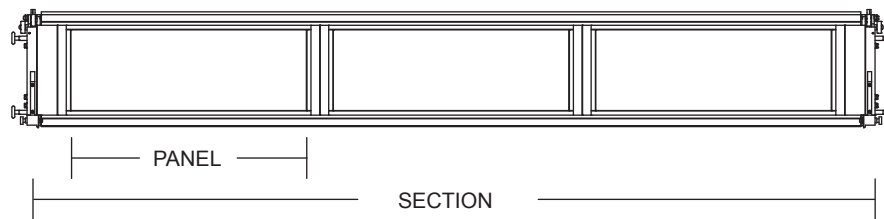
To request project-specific shop drawings, contact your Cookson customer support or sales representative. Architects and specifiers, visit architectdoorhelp.com

STACKING SERIES VERTISTACK™ CLEAR DOOR Model VS904N

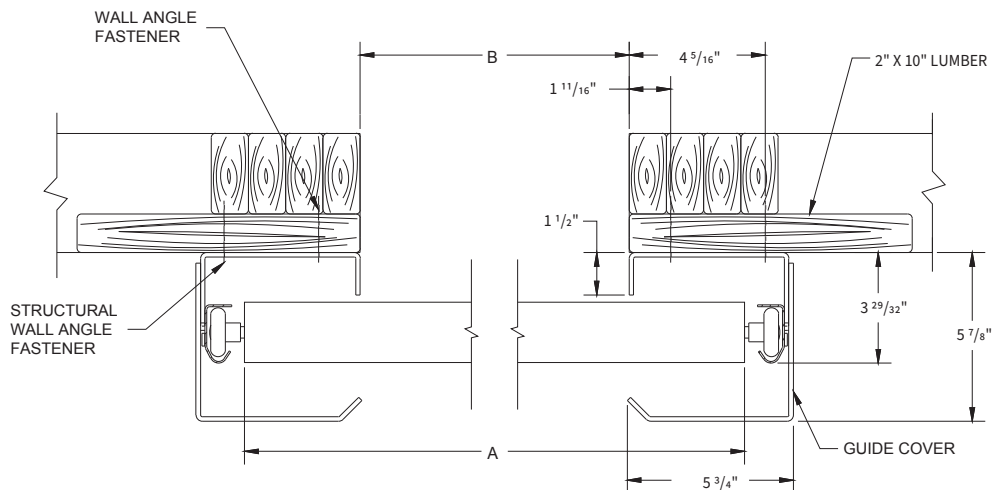
CALCULATE NUMBER OF PANELS AND SECTIONS

OPENING WIDTH	NUMBER OF PANELS
Up to 4'8"	1
4'9" - 9'2"	2
9'3" - 13'2"	3
13'3" - 14'0"	4

DOOR HEIGHT	NUMBER OF SECTIONS
4'0" - 5'8"	3
5'9" - 7'0"	4
7'1" - 8'4"	5
8'5" - 9'8"	6
9'9" - 11'2"	7
11'3" - 12'8"	8
12'9" - 14'0"	9



GUIDE CONSTRUCTION



The details and dimensions on this sheet are provided as a rough guide for planning purposes. To request project-specific shop drawings, contact your Cooksoncustomer support or sales representative. Architects and specifiers, visit architectdoorhelp.com