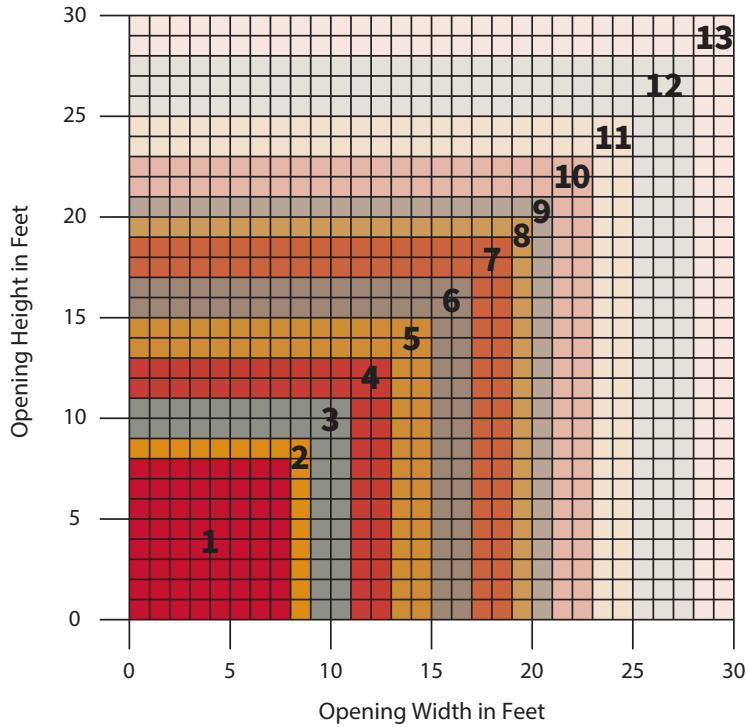


THERMISER

Model ESD20

MEASURE THE WIDTH AND HEIGHT OF THE OPENING

DOOR SIZE AND AREA



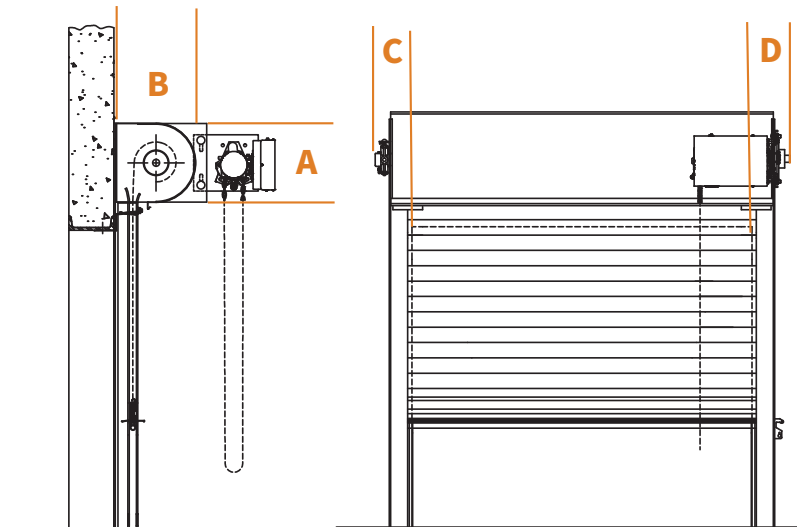
COMPONENT DIMENSIONS

Reference the zone number to view component dimensions for motorized doors.

Dimensions in Inches

1	17	19	5	9
2	18	20	5	9
3	19	21	5	9
4	20	22	7	9
5	21	23	7	11
6	22	24	7	11
7	23	25	7	11
8	24	26	7	11
9	25	27	7	11
10	26	28	7	11
11	27	29	7	11
12	29	31	7	11
13	31	33	7	11

Zone A B C D



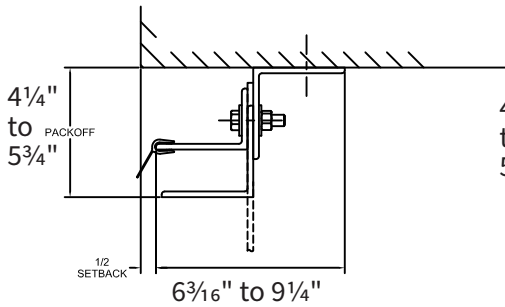
The dimensions featured on this sheet are provided as a guide. Please visit our website at www.cooksondoor.com/drawings to generate drawings on demand with exact dimensions.

INSULATED ROLLING DOOR **THERMISER® Model ESD20**

GUIDE CONSTRUCTION OPTIONS

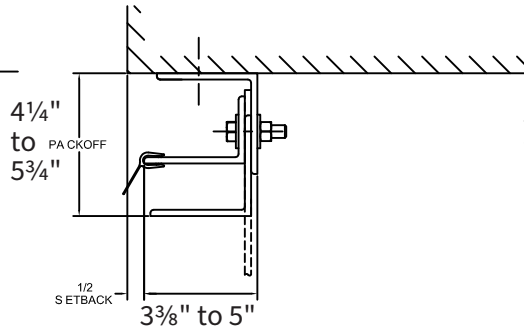
FACE OF WALL Z

Typically used with masonry wall construction, guides are mounted to the interior side of the wall.



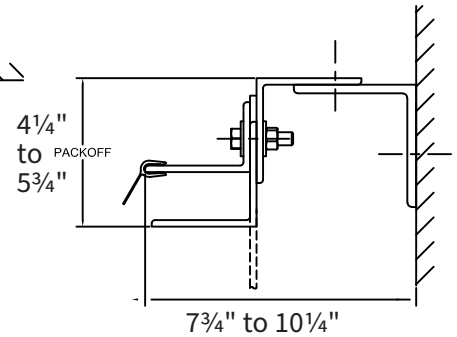
FACE OF WALL E

Typically used with steel jambs, guides are mounted to the interior side of the wall.



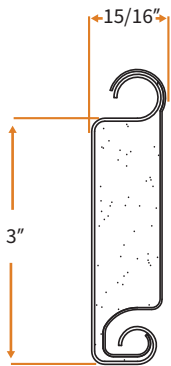
BETWEEN JAMBS

Used when side clearance is minimal, guides are mounted to the inside of the jamb.

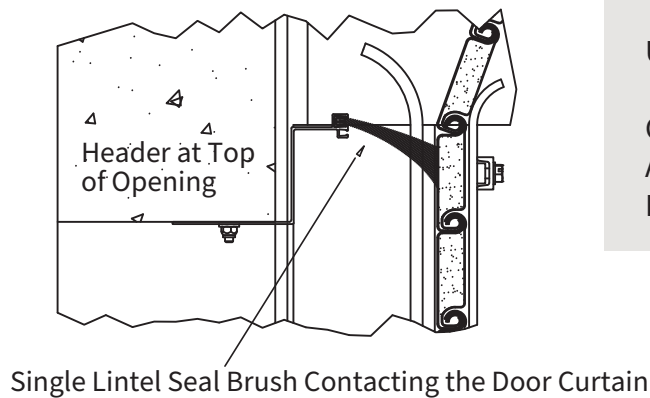


CURTAIN DESIGN

Insulated Slat



LINTEL SEAL BRUSH



R Value of 8.0

U Value of .125

Calculated using the ASHRAE Handbook of Fundamentals

The dimensions featured on this sheet are provided as a guide. Please visit our website at www.cooksondoor.com/drawings to generate drawings on demand with exact dimensions.

CUSTOM-DESIGNED SOLUTIONS

Our experienced Architectural Design Support Team can customize our products to fit your specific application. Call 800.233.8366 ext. 4551 • architecturaldesignsupport@cornellcookson.com

800.294.4358 | cooksondoor.com

CornellCookson, Inc. is an ISO 9001:2015 registered company
9.2022

Preferred door solutions.
COOKSON