

# STORMDEFENDER™ DOOR BY COOKSON

Model PSD361 and Model PRSD361 (fire-rated)

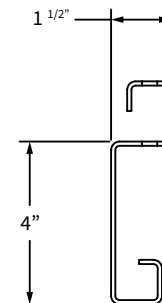
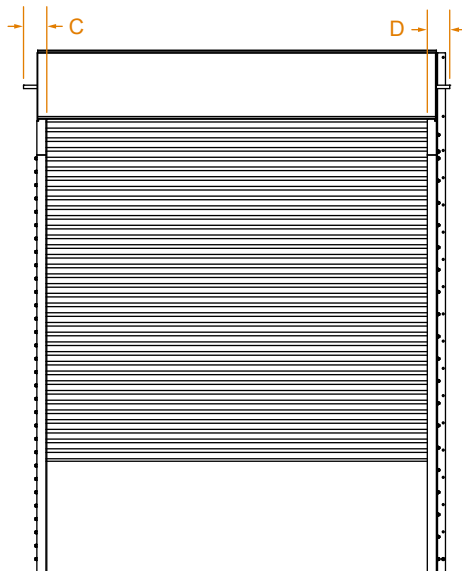
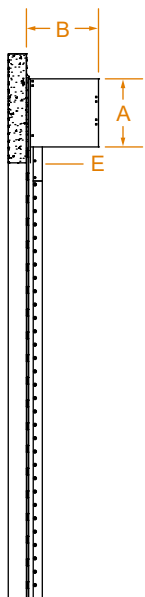
## MEASURE THE HEIGHT AND WIDTH OF THE OPENING

### COMPONENT DIMENSIONS

3'	19"	19"	9 5/8" to 11"	6 5/8" to 8"	5" to 7"			
4'	20"	20"						
5'	21"	21"						
6'	22"	22"						
7'	22"	22"						
8'	23"	23"						
9'	24"	24"						
10'	24"	24"						
11'	25"	25"						
12'	26"	26"						
13'	26"	26"						
14'	28"	28"						
15'	29"	29"						
16'	29"	29"						
<b>Opening Height (feet)</b>	<b>A</b>	<b>B</b>				<b>C (Operator)</b>	<b>D (Adjustor)</b>	<b>E</b>

Maximum width between 13' 10" and 14' depending on configuration. Please contact the factory if maximum width required is more than 13' 10" to ensure proper configuration.

### SLAT CROSS-SECTION



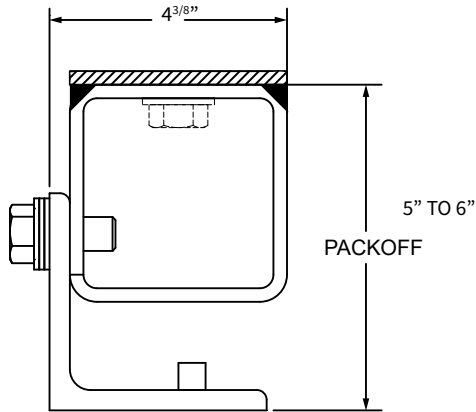
The details and dimensions on this sheet are provided as a rough guide for planning purposes. Project specific details and dimensions are available by generating drawings from our website: [www.cooksondoor.com/drawings](http://www.cooksondoor.com/drawings)

# DEFENDER SERIES **STORMDEFENDER™ DOOR** Model PSD361 and Model PRSD361 (fire-rated)

## GUIDE CONSTRUCTION OPTIONS

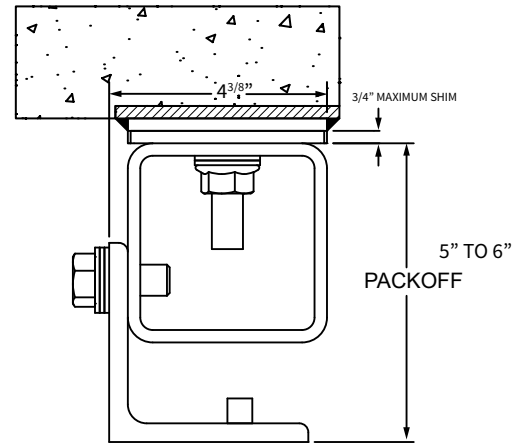
### E GUIDE

Typically used with steel jambs



### E GUIDE WITH SHIMS

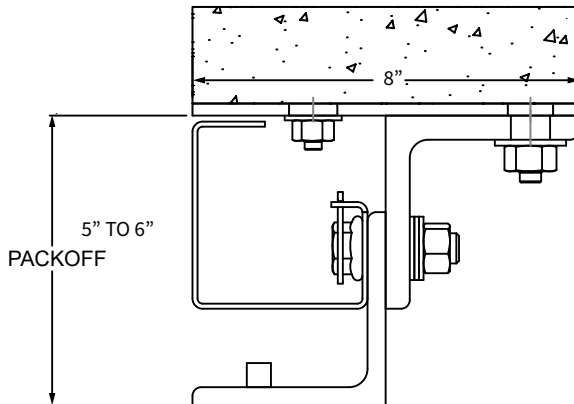
Typically used with for uneven mounting surfaces, i.e. embedment plates



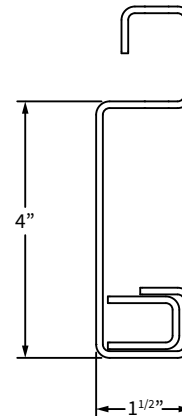
**PLEASE NOTE:**  
No certified rolling door can be mounted to filled cmu.

### Z GUIDE

Typically used with concrete wall construction



### BOTTOM BAR



The details and dimensions on this sheet are provided as a rough guide for planning purposes. Project specific details and dimensions are available by generating drawings from our website: [www.cooksondoor.com/drawings](http://www.cooksondoor.com/drawings)

## CUSTOM-DESIGNED SOLUTIONS

Our experienced Architectural Design Support Team can customize our products to fit your specific application. Call 800.233.8366 ext. 4551 • [architecturaldesignsupport@cornellcookson.com](mailto:architecturaldesignsupport@cornellcookson.com)