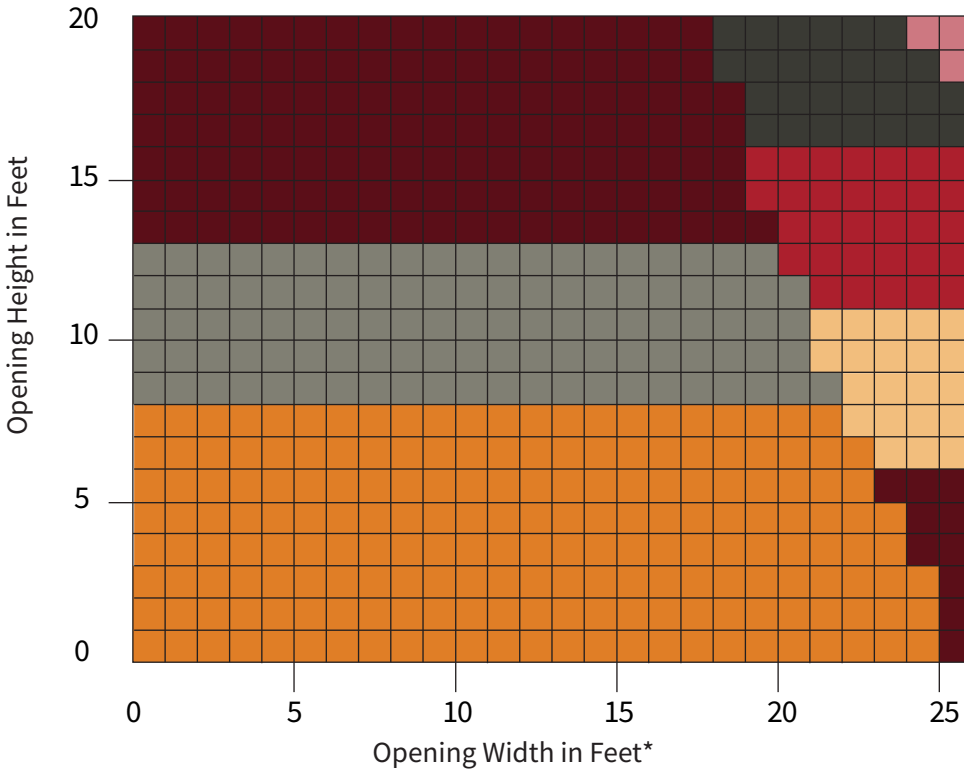


# STEELWEAVE™ METAL MESH GRILLE

Model EAG 10S - Service Model

## COMPONENT DIMENSIONS - TIGRIS CURTAIN



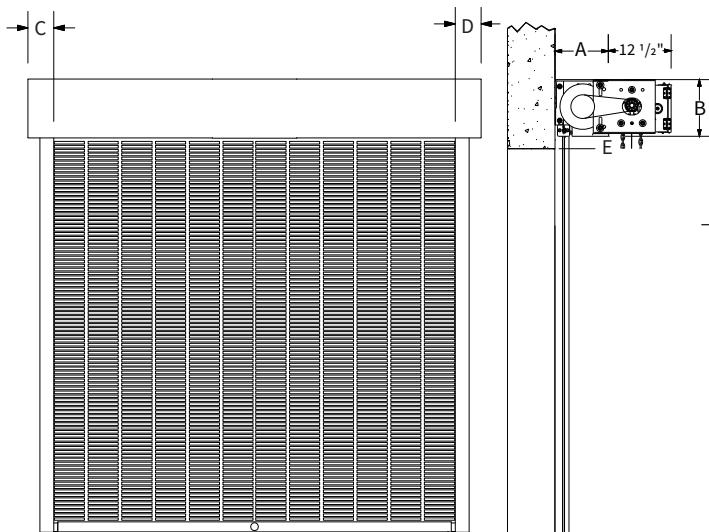
	A	B	C	D	E
Orange	8.5	12.5	5 5/8	5 5/8	2 5/16
Grey	9.5	12.5			
Dark Red	10.5	12.5			
Light Orange	11.5	13			
Red	12.5	14			
Dark Grey	13.5	15			
Pink	14.5	16			

Dimensions are in inches.

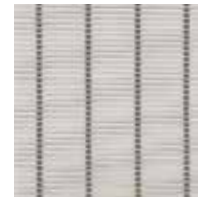
The dimensions on this sheet are provided as a guide for the Tigris curtain. The dimensions for the Lago curtain may be slightly smaller. Please visit [www.cooksondoor.com/drawings](http://www.cooksondoor.com/drawings) to generate drawings on demand with exact dimensions.

\*Lago curtain widths larger than 19 feet may require additional lead time and cost.

### STANDARD



Tigris



Lago

### CUSTOM DESIGNS



Helix 48\*



Sambesi\*



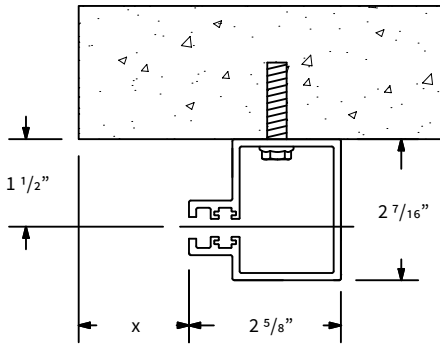
Helix 24\*

\*Pattern is available as a special order. Dimensions on next page are for standard offering only. To get details for custom design, contact ADS.

**ALUMINUM GUIDE CONSTRUCTION OPTIONS**

**FACE OF WALL**

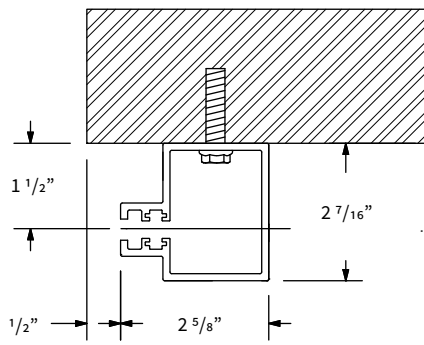
Typical masonry wall construction.



x=setback. Typically 1/2", may be more based on wind load requirements.

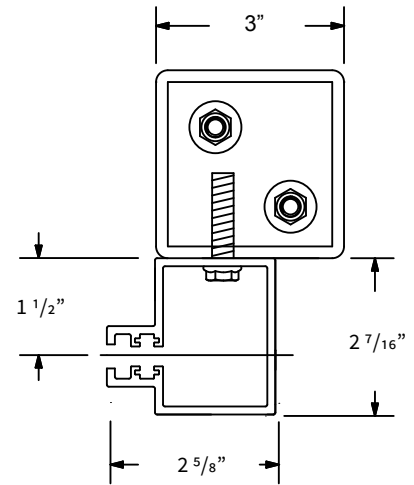
**FACE OF WALL**

Typical steel jambs.



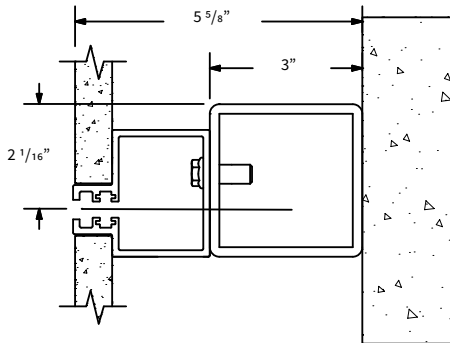
**FACE OF WALL WITH TUBES**

Used when there is uneven or insufficient wall structure. Guides are mounted to the tubes, which are attached to floor and overhead structure.



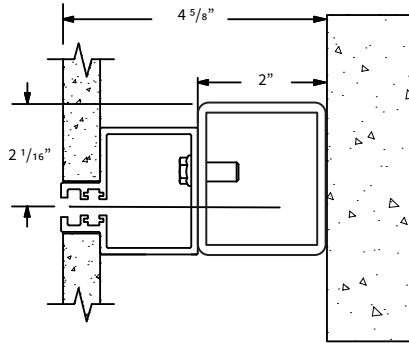
**BETWEEN JAMBS WITH 3" TUBES**

Used when wall structure is uneven or insufficient. Guides are mounted to the tubes, which are attached to floor and overhead structure.



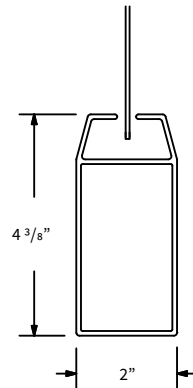
**BETWEEN JAMBS WITH 2" TUBES**

Used when wall structure is uneven or insufficient with limited space. Guides are mounted to the tubes, which are attached to floor and overhead structure.



**BOTTOM BAR**

Aluminum



Locking available.

For recessed applications where the coil is above the ceiling, it is important to provide full coil access for repair or replacement of the motor and door components.

**CUSTOM-DESIGNED SOLUTIONS**

Our experienced Architectural Design Support Team can customize our products to fit your specific application.

Call 800.233.8366 ext. 4551 • architecturaldesignsupport@cornellcookson.com