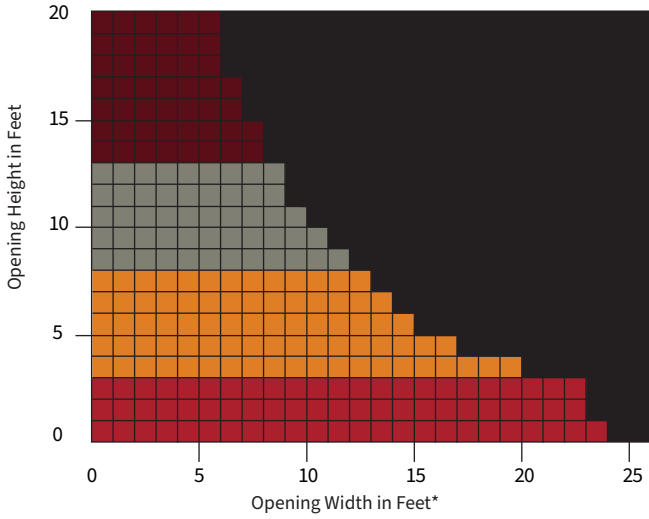


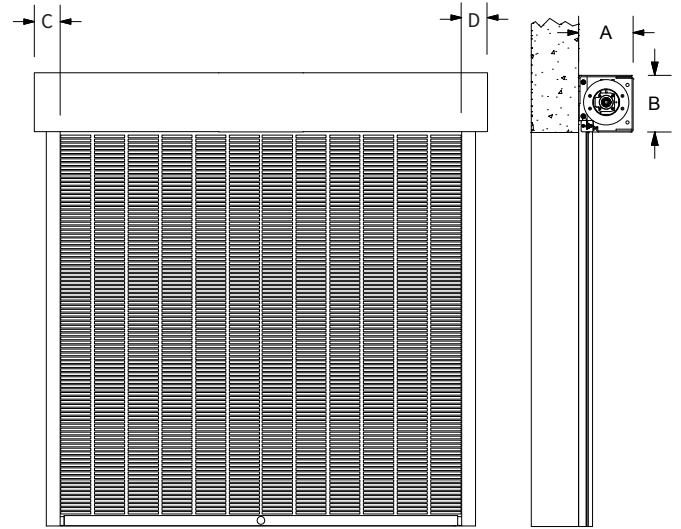
STEELWEAVE™ METAL MESH GRILLE

Model EAG 10V - Aesthetic Reveal Model

COMPONENT DIMENSIONS - TIGRIS CURTAIN



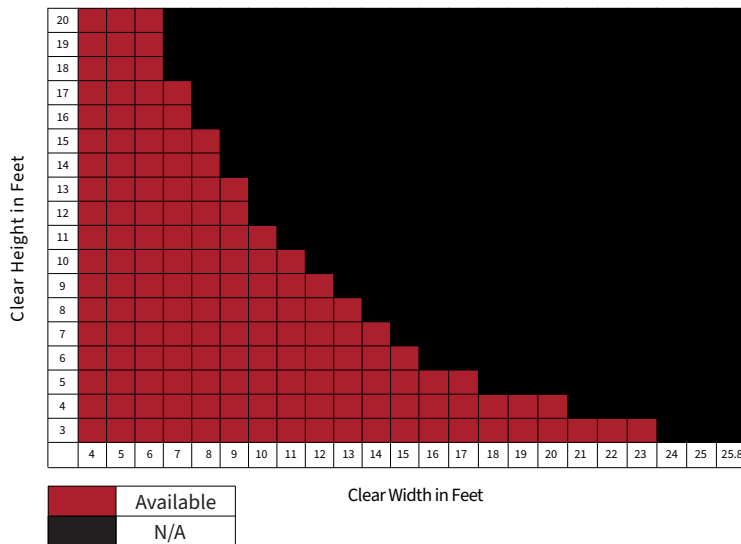
	A	B	C	D
	7.5	9	5 5/8	5 5/8
	8.5	10		
	9.5	11		
	10.5	12		



The dimensions on this sheet are provided as a guide for the Tigris curtain. The dimensions for the Lago curtain may be slightly smaller. Please visit www.cornelliron.com/drawings to generate drawings on demand with exact dimensions.

*Lago curtain widths larger than 19 feet may require additional lead time and cost.

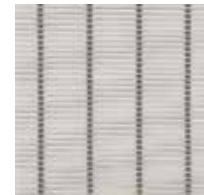
TUBE MOTOR AVAILABILITY



STANDARD PATTERNS



Tigris



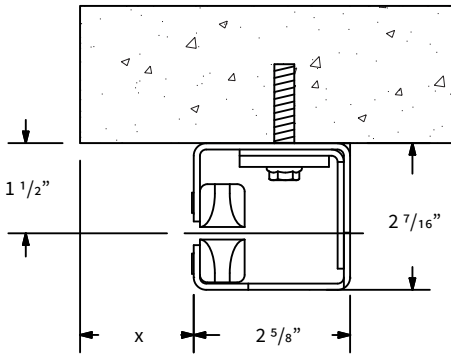
Lago

ROLLING GRILLES **STEELWEAVE™** METAL MESH GRILLE Model EAG 10V - Aesthetic Reveal

STAINLESS STEEL GUIDE CONSTRUCTION OPTIONS

FACE OF WALL

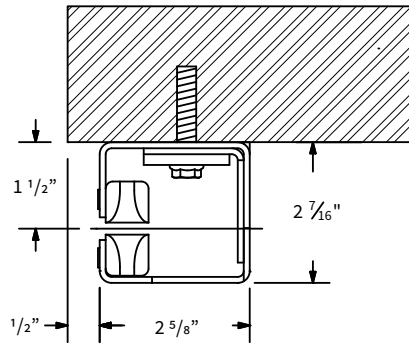
Typical masonry wall construction.



x = setback. Typically 1/2", may be more based on wind load requirements.

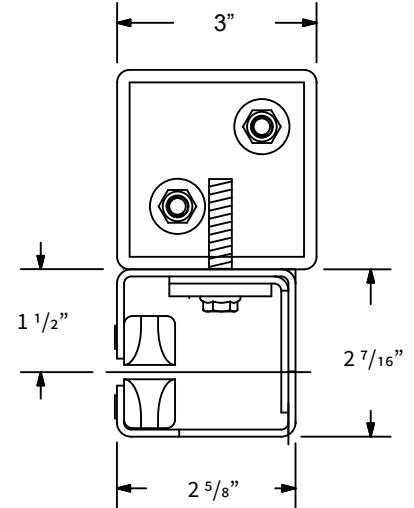
FACE OF WALL

Typical steel jambs.



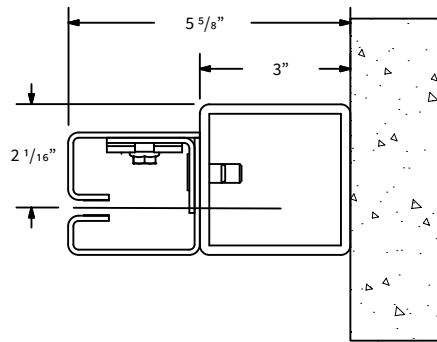
FACE OF WALL WITH TUBES

Used when wall structure is uneven or insufficient. Guides are mounted to the tubes, which are attached to floor and overhead structure.



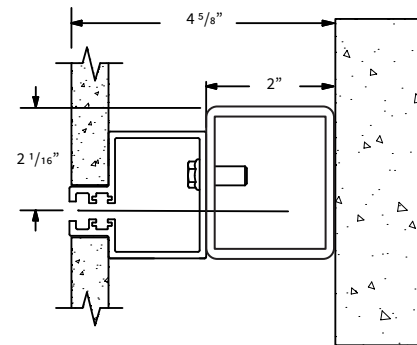
BETWEEN JAMBS WITH 3" TUBES

Used when there is uneven or insufficient wall structure. Guides are mounted to the tubes, which are attached to floor and overhead structure.



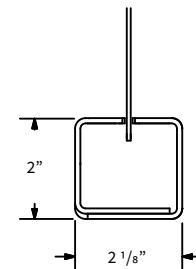
BETWEEN JAMBS WITH 2" TUBES

Used when wall structure is uneven or insufficient with limited space. Guides are mounted to the tubes, which are attached to floor and overhead structure.



STAINLESS STEEL BOTTOM BAR

Type 304 12 GA stainless steel.



Locking available. Bottom bar will increase by 1" which will require additional headroom.

For recessed applications where the coil is above the ceiling, it is important to provide full coil access for repair or replacement of the motor and door components.

CUSTOM-DESIGNED SOLUTIONS

Our experienced Architectural Design Support Team can customize our products to fit your specific application.

Call 800.233.8366 ext. 4551 • architecturaldesignsupport@cornellcookson.com