

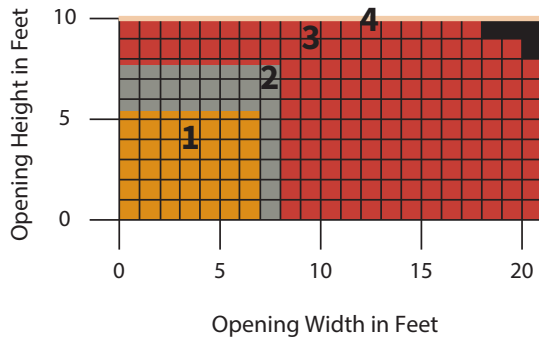
ROLLING COUNTER DOOR

ROLLING INSULATED COUNTER DOOR

Model ESC30

MEASURE THE WIDTH AND HEIGHT OF THE OPENING

DOOR SIZE AND AREA*



*Chart based on 22 gauge steel slats with tube motor operation

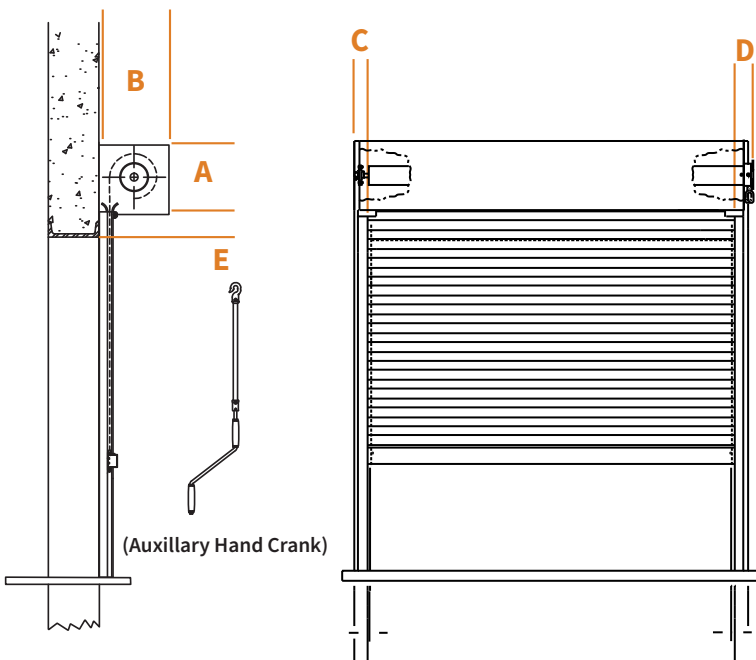
Dimensions in Inches

COMPONENT DIMENSIONS

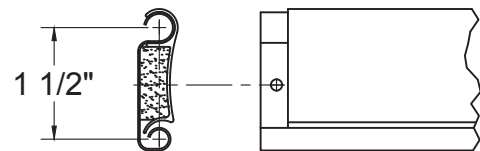
Reference the zone number to view component dimensions for tube motorized doors.

1	11	11	3	5	MIN UPSET BETWEEN 2"-5" DEPENDING ON CONFIGURATION
2	12	12	3	5	
3	13	13	3	5	
4	14	14	3	5	

Zone A B C D E



SLAT CROSS SECTION



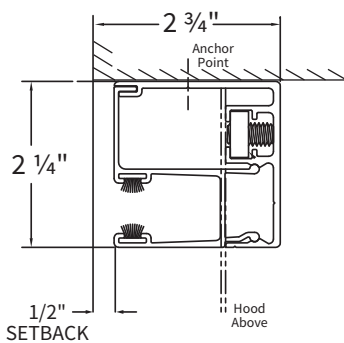
The details and dimensions on this sheet are provided as a rough guide for planning purposes. Project specific details and dimensions are available by generating drawings from our website: www.cooksondoor.com/drawings

GUIDE CONSTRUCTION OPTIONS

EXTRUDED ALUMINUM

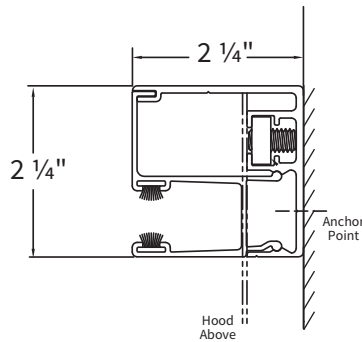
**FACE OF WALL
(ALL OPERATION TYPES)**

Guides are mounted to the interior or exterior side of the wall.



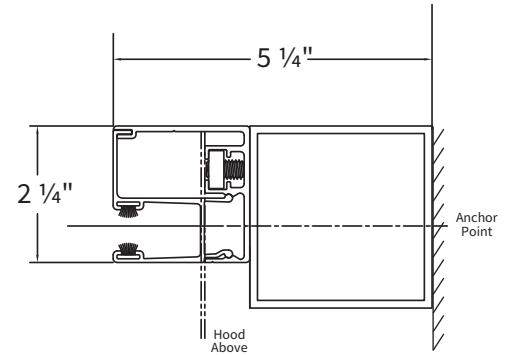
**BETWEEN JAMBS
(FOR PUSHUP)**

Guides are mounted to the inside of the jamb.



**BETWEEN JAMBS
(FOR CRANK OR MOTOR)**

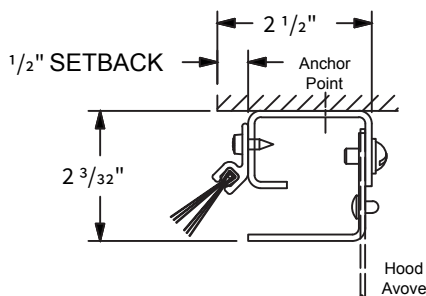
Guides are mounted to the inside of the jamb.



STEEL

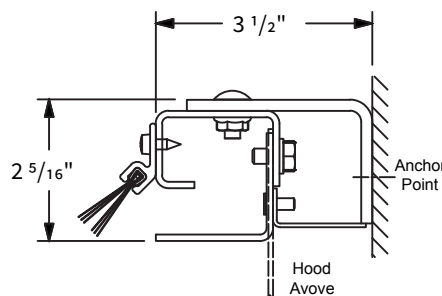
**FACE OF WALL
(ALL OPERATION TYPES)**

Guides are mounted to the interior or exterior side of the wall.



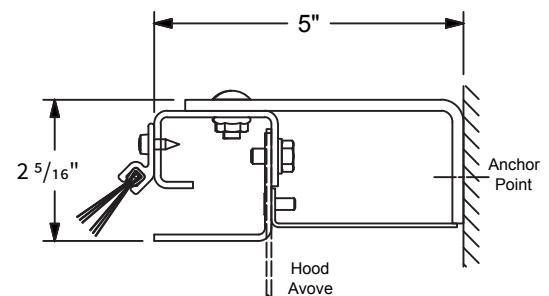
**BETWEEN JAMBS
(FOR PUSHUP)**

Guides are mounted to the inside of the jamb.



**BETWEEN JAMBS
(FOR CRANK OR MOTOR)**

Guides are mounted to the inside of the jamb.



The details and dimensions on this sheet are provided as a rough guide for planning purposes. Project specific details and dimensions are available by generating drawings from our website: www.cooksondoor.com/drawings

CUSTOM-DESIGNED SOLUTIONS

Our experienced Architectural Design Support Team can customize our products to fit your specific application.

☎ 877.537.4567 ✉ arch@cornellcookson.com