

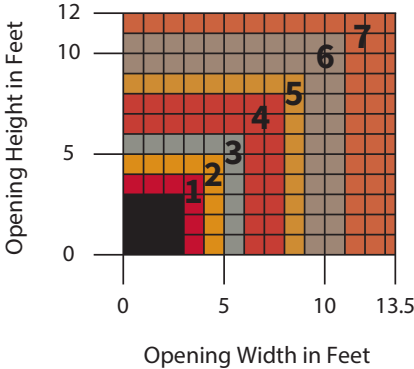
FIRE PROTECTIVE CLOSURE

# FIREMISER™ INSULATED ROLLING FIRE DOOR

Model ERD20

## MEASURE THE WIDTH AND HEIGHT OF THE OPENING

### DOOR SIZE AND AREA



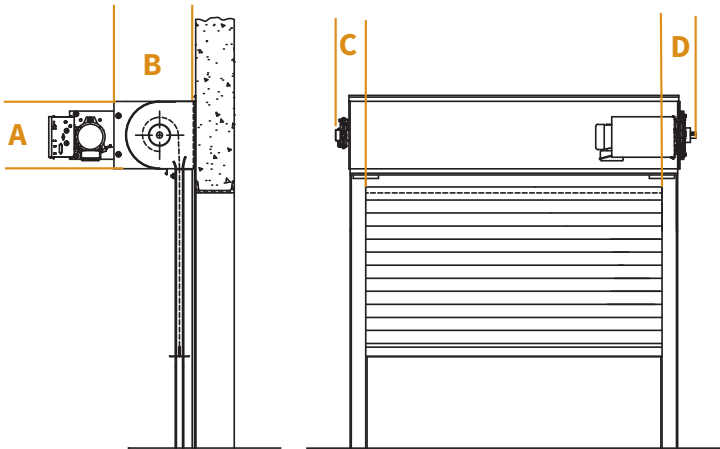
### COMPONENT DIMENSIONS

Reference the zone number to view component dimensions for motorized doors.

1	14	16	6	7.5
2	15	17	6	7.5
3	16	18	6	7.5
4	17	19	6	7.5
5	18	20	6	7.5
6	19	21	6	7.5
7	20	22	6	7.5

Dimensions in Inches

Zone A B C D



### INSULATED SLAT

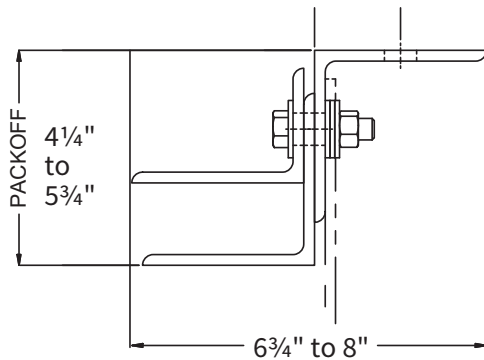


The dimensions featured on this sheet are provided as a guide. Please visit our website at [www.cooksondoor.com/drawings](http://www.cooksondoor.com/drawings) to generate drawings on demand with exact dimensions.

## GUIDE CONSTRUCTION OPTIONS

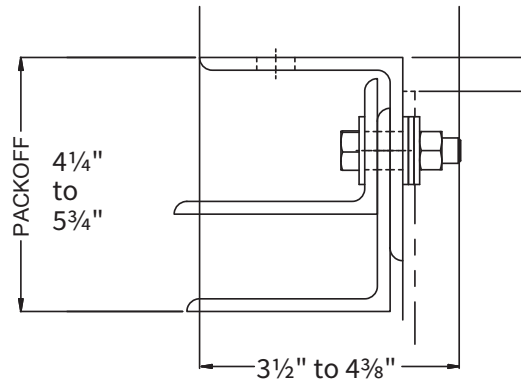
### FACE OF WALL Z

Typically used with masonry wall construction, guides are mounted to the interior or exterior side of the wall.



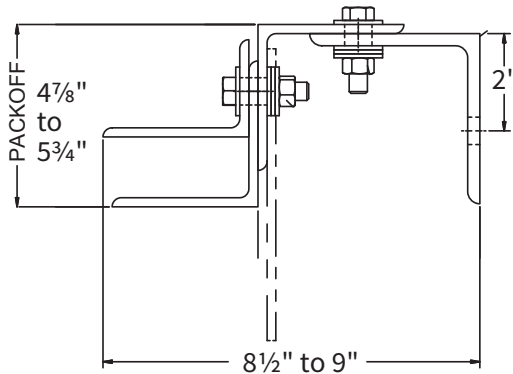
### FACE OF WALL E

Typically used with steel jambs, guides are mounted to the interior or exterior side of the wall.



### BETWEEN JAMBS

Used when side clearance is minimal, guides are mounted to the inside of the jamb.



The dimensions featured on this sheet are provided as a guide. Please visit our website at [www.cooksondoor.com/drawings](http://www.cooksondoor.com/drawings) to generate drawings on demand with exact dimensions.

---

## CUSTOM-DESIGNED SOLUTIONS

Our experienced Architectural Design Support Team can customize our products to fit your specific application. Call 800.294.4358 ext. 1280 or email [ads@cooksondoor.com](mailto:ads@cooksondoor.com).

---