

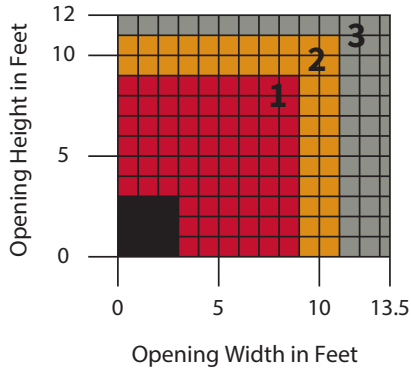
FIRE SAFETY CLOSURE

ROLLING FIRE DOOR

Model ERD10

MEASURE THE WIDTH AND HEIGHT OF THE OPENING

DOOR SIZE AND AREA



COMPONENT DIMENSIONS

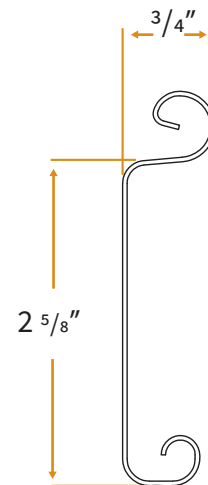
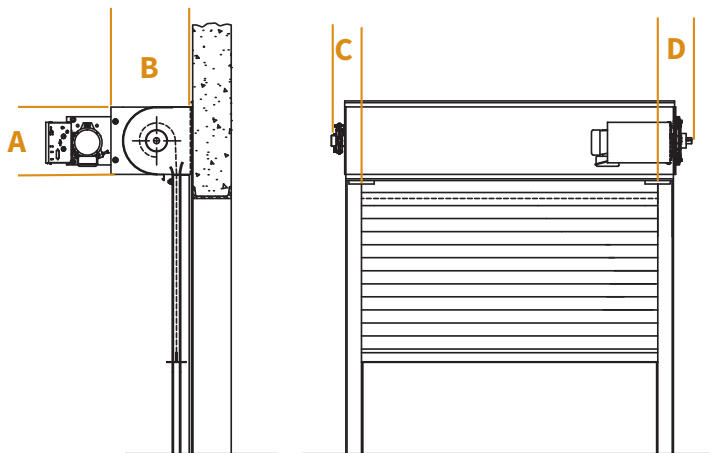
Reference the zone number to view component dimensions for motorized doors.

| | | | | |
|---|----|----|---|-----|
| 1 | 14 | 16 | 6 | 7.5 |
| 2 | 15 | 17 | 6 | 7.5 |
| 3 | 16 | 18 | 6 | 7.5 |

Dimensions in Inches

Zone A B C D

STANDARD SLAT



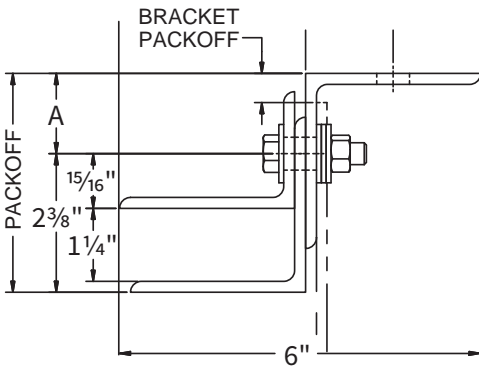
The dimensions featured on this sheet are provided as a guide. Please visit our website at www.cooksondoor.com/drawings to generate drawings on demand with exact dimensions.

FIRE SAFETY CLOSURE **ROLLING FIRE DOOR Model ERD10**

GUIDE CONSTRUCTION OPTIONS

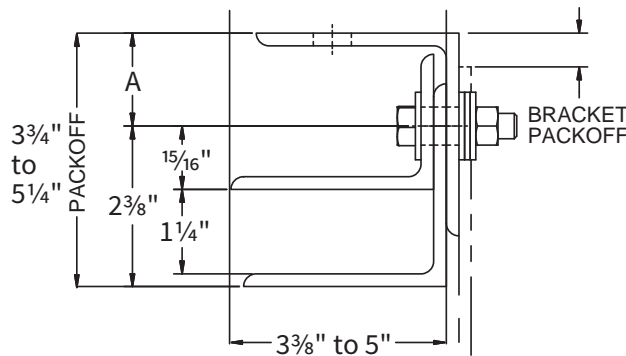
FACE OF WALL Z

Typically used with masonry wall construction, guides are mounted to the interior or exterior side of the wall.



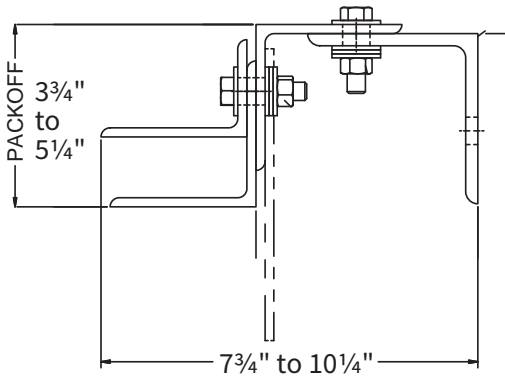
FACE OF WALL E

Typically used with steel jambs, guides are mounted to the interior or exterior side of the wall.



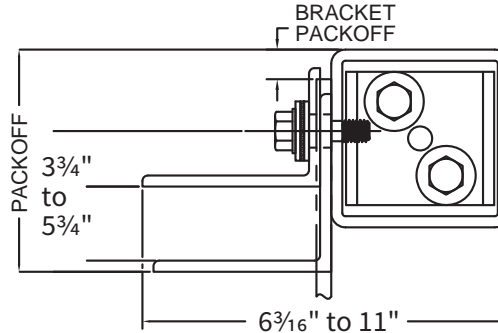
BETWEEN JAMBS

Used when side clearance is minimal, guides are mounted to the inside of the jamb.



BETWEEN JAMBS WITH TUBES 3x3

Typically used if there's no wall support, and tubes and guides need to be recessed within the wall construction



The dimensions featured on this sheet are provided as a guide. Please visit our website at www.cooksondoor.com/drawings to generate drawings on demand with exact dimensions.

CUSTOM-DESIGNED SOLUTIONS

Our experienced Architectural Design Support Team can customize our products to fit your specific application. Call 800.294.4358 ext. 1280 or email ads@cooksondoor.com.