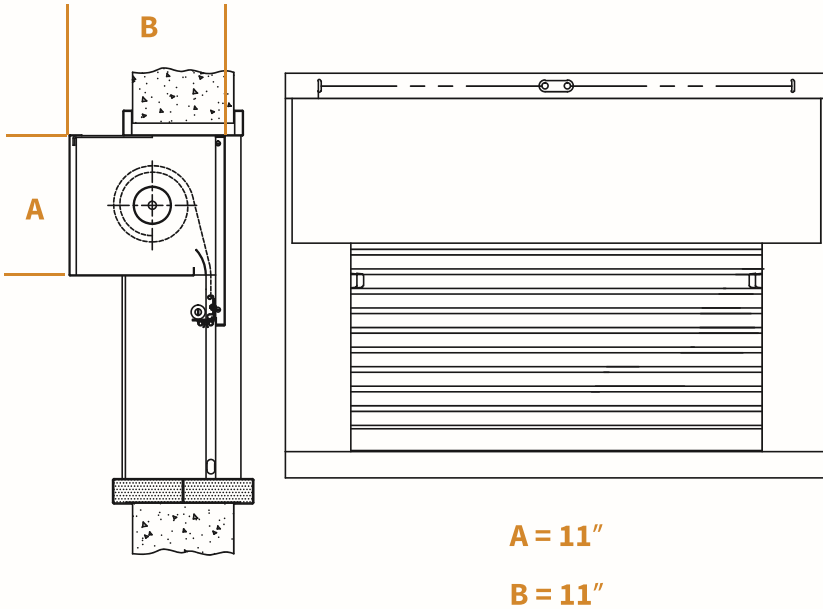


FIRE PROTECTIVE CLOSURES

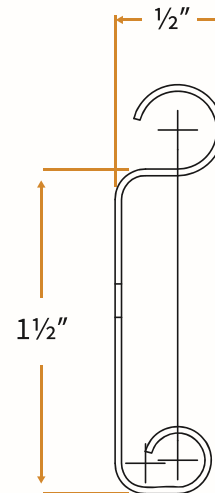
# FIRE RATED COUNTER SHUTTERS

Model ERC20 (Integral Frame and Sill)



## GUIDE CONSTRUCTION OPTIONS

### SLAT CROSS SECTION

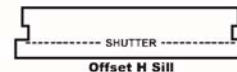


## UL LABELED COUNTERTOPS

**Laminate Countertops** have a 1 5/8" thick fire retardant core. UL 1 1/2 hour label. One piece countertops fit openings up to 10' wide, two-piece with center joint for openings up to 16' wide. **Standard** plastic laminates may be selected from Formica® or Wilsonart®. Custom designed in all shapes at right.

**Stainless steel countertops** are 14 gauge stainless steel in #4 finish, with a refractory UL Classified Plastic Laminate Only fiber core. UL 1 1/2 hour label. Custom designed to a maximum wall opening width of 10'- 10" for between jambs (rectangular shape). Maximum wall thickness is 12".

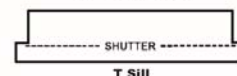
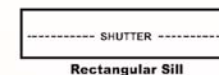
Standard stainless steel counter depth is wall thickness + 3 1/8" Custom stainless steel countertop depth is available up to 25 1/2"



UL Classified Plastic Laminate Only



UL Classified Plastic Laminate Only

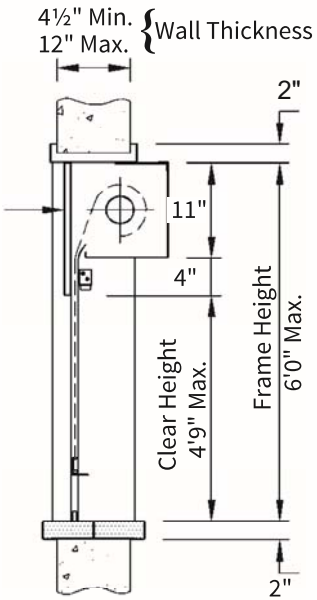


The dimensions featured on this sheet are provided as a guide. Please visit our website at [www.cooksondoor.com/drawings](http://www.cooksondoor.com/drawings) to generatedrawings on demand with exact dimensions.

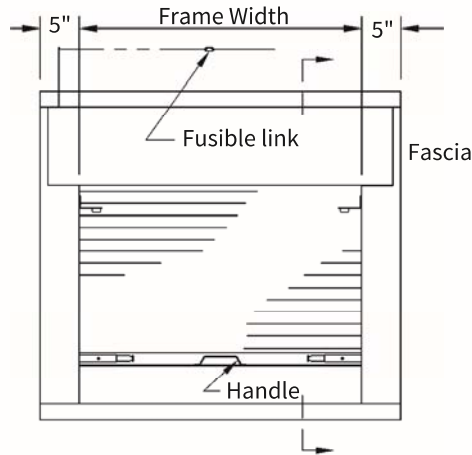
**FIRE PROTECTIVE CLOSURES FIRE RATED COUNTER SHUTTERS**  
**Model ERC20 (Integral Frame and Sill)**

**ROLLING COUNTER FIRE DOORS WITH INTEGRAL FRAMES**

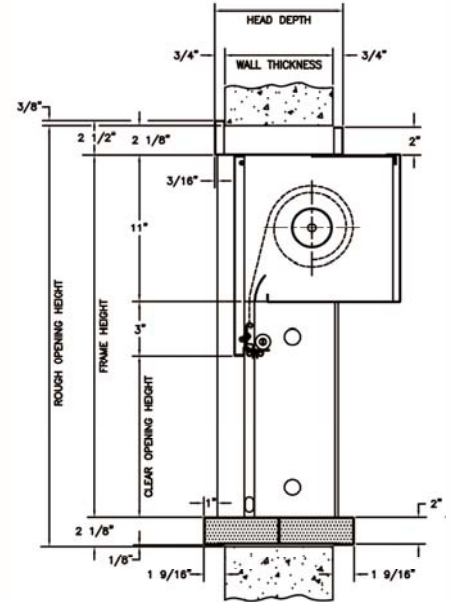
**BUILT IN JAMB DETAILS**



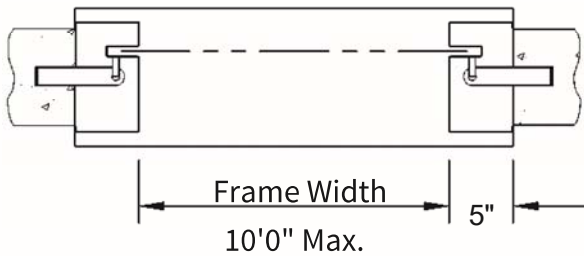
**ELEVATION**



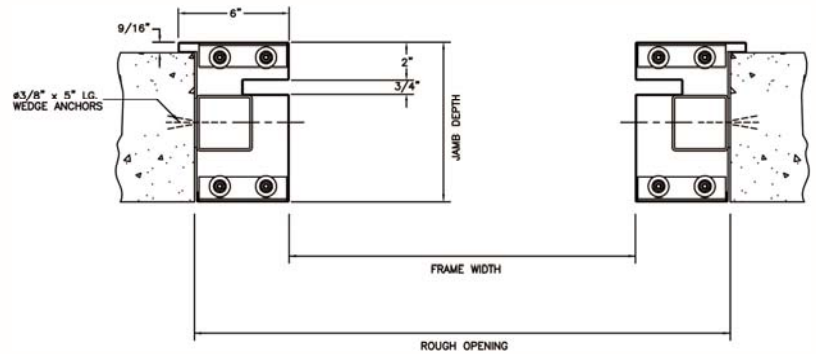
**SLIP IN JAMB DETAILS**



**BUILT IN JAMB DETAILS**



**SLIP IN JAMB DETAILS**



The dimensions featured on this sheet are provided as a guide. Please visit our website at [www.cooksondoor.com/drawings](http://www.cooksondoor.com/drawings) to generate drawings on demand with exact dimensions.

**CUSTOM-DESIGNED SOLUTIONS**

Our experienced Architectural Design Support Team can customize our products to fit your specific application. Call 800.294.4358 ext. 1280 or email [ads@cooksondoor.com](mailto:ads@cooksondoor.com).

