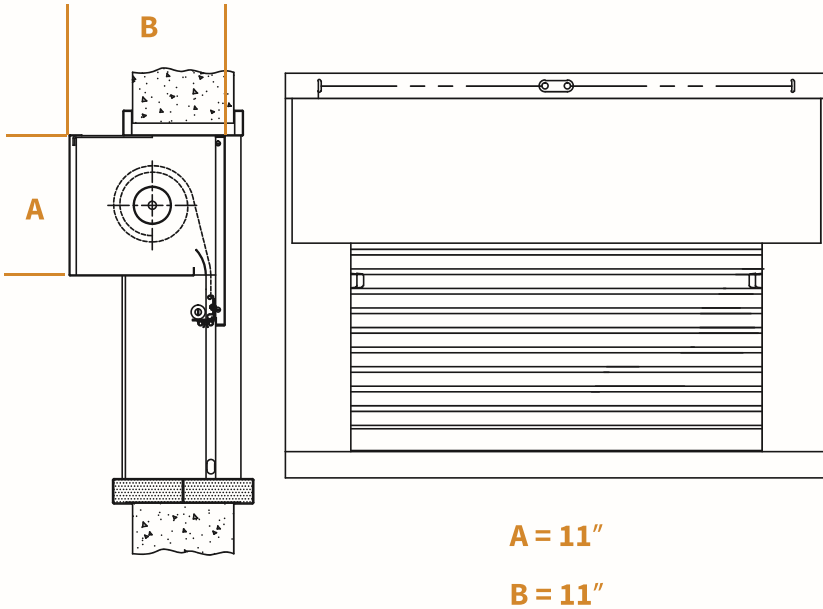


FIRE PROTECTIVE CLOSURES

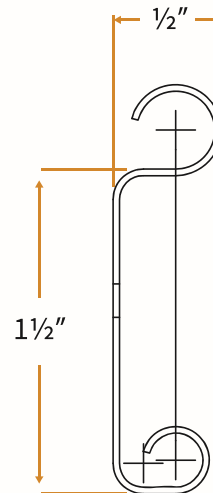
FIRE RATED COUNTER SHUTTERS

Model ERC20 (Integral Frame and Sill)



GUIDE CONSTRUCTION OPTIONS

SLAT CROSS SECTION



UL LABELED COUNTERTOPS

Laminate Countertops have a 1 5/8" thick fire retardant core. UL 1 1/2 hour label. One piece countertops fit openings up to 10' wide, two-piece with center joint for openings up to 16' wide. **Standard** plastic laminates may be selected from Formica® or Wilsonart®. Custom designed in all shapes at right.

Stainless steel countertops are 14 gauge stainless steel in #4 finish, with a refractory UL Classified Plastic Laminate Only fiber core. UL 1 1/2 hour label. Custom designed to a maximum wall opening width of 10'- 10" for between jambs (rectangular shape). Maximum wall thickness is 12".

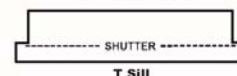
Standard stainless steel counter depth is wall thickness + 3 1/8" Custom stainless steel countertop depth is available up to 25 1/2"



UL Classified Plastic Laminate Only



UL Classified Plastic Laminate Only

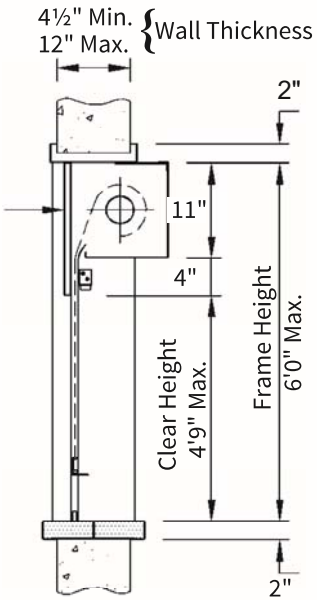


The dimensions featured on this sheet are provided as a guide. Please visit our website at www.cooksondoor.com/drawings to generatedrawings on demand with exact dimensions.

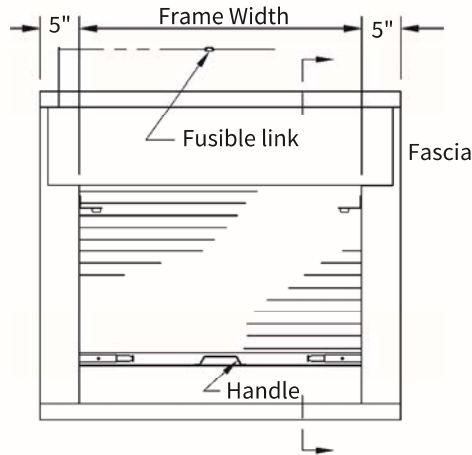
FIRE PROTECTIVE CLOSURES FIRE RATED COUNTER SHUTTERS
Model ERC20 (Integral Frame and Sill)

ROLLING COUNTER FIRE DOORS WITH INTEGRAL FRAMES

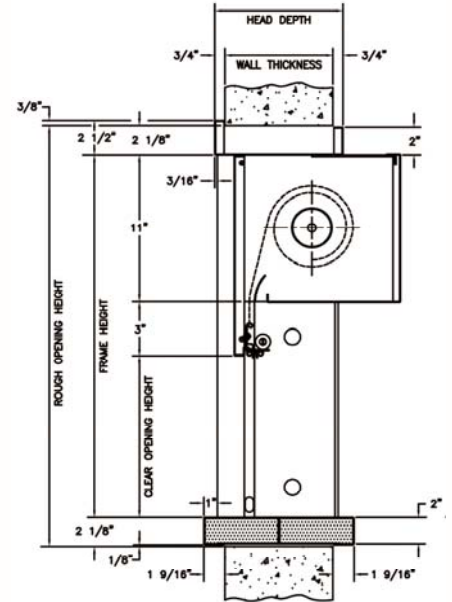
BUILT IN JAMB DETAILS



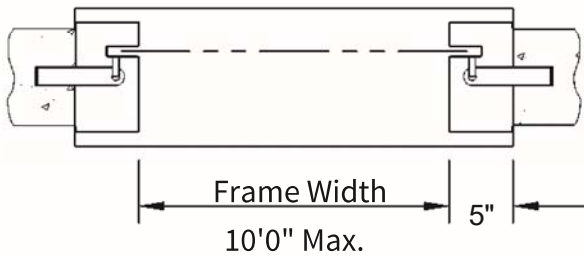
ELEVATION



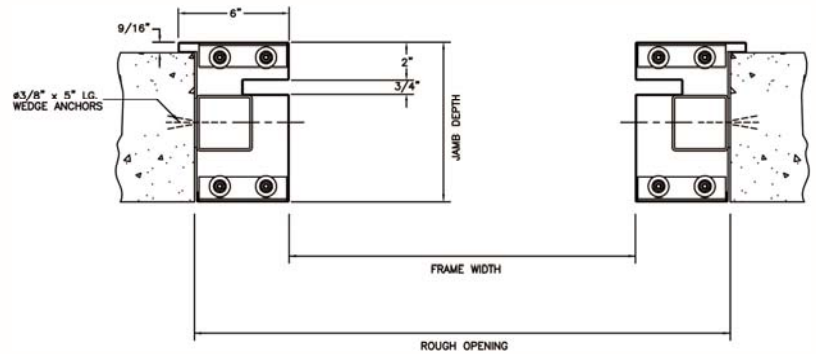
SLIP IN JAMB DETAILS



BUILT IN JAMB DETAILS



SLIP IN JAMB DETAILS



The dimensions featured on this sheet are provided as a guide. Please visit our website at www.cooksondoor.com/drawings to generate drawings on demand with exact dimensions.

CUSTOM-DESIGNED SOLUTIONS

Our experienced Architectural Design Support Team can customize our products to fit your specific application. Call 800.294.4358 ext. 1280 or email ads@cooksondoor.com.