

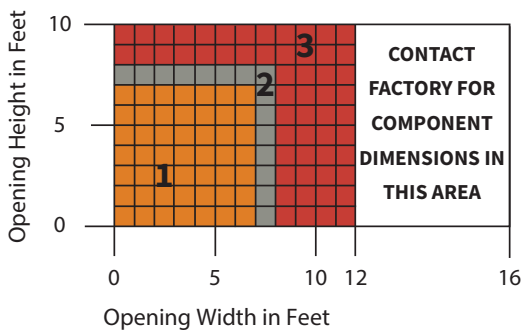
FIRE RATED COUNTER SHUTTER

Model ERC10 & Model ERC 11 (SmokeShield®)

MEASURE THE WIDTH AND HEIGHT OF THE OPENING

DOOR SIZE AND AREA*

The maximum limits listed in our UL procedure are for counter fire doors up to 16'-0" wide, 10'-0" high with a 120 sq ft maximum**. If the counter shutter is over 12' wide the limit is 7'6" high.



*Chart based on 22 gauge steel slats.

**A unit that exceeds any one of these limits may be possible, but will need to be field-tested.

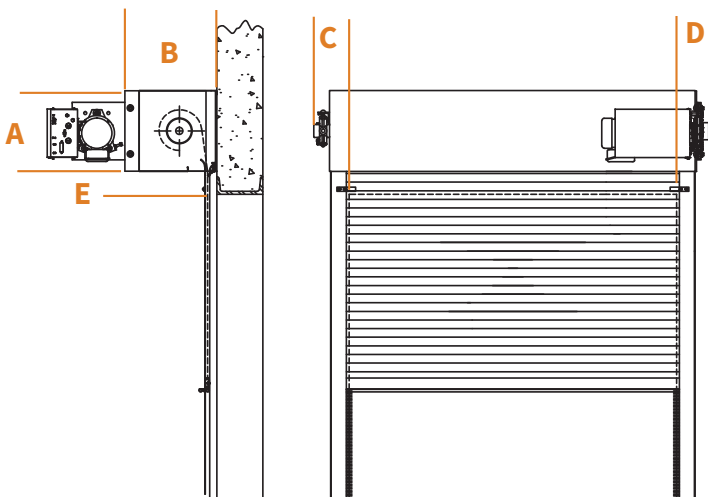
COMPONENT DIMENSIONS

Reference the zone number to view component dimensions for motorized doors.

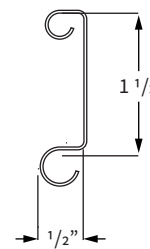
1	11	11	3	5	MIN UPSET BETWEEN 2"-5" DEPENDING ON CONFIGURATION
2	12	12	3	5	
3	13	13	3	5	

Dimensions in Inches

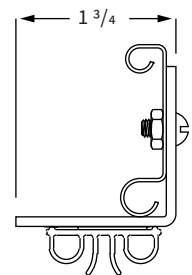
Zone A B C D



SLAT CROSS-SECTION



ANGLE BOTTOM BAR



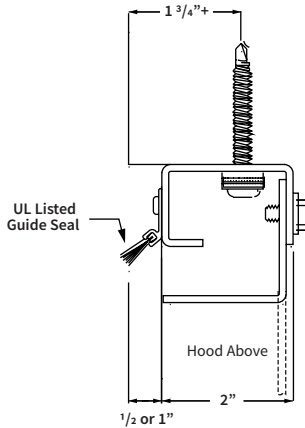
The details and dimensions on this sheet are provided as a rough guide for planning purposes. Project specific details and dimensions are available by generating drawings from our website: www.cooksondoor.com/drawings

FIRE PROTECTIVE CLOSURE **FIRE RATED COUNTER SHUTTER** Model ERC10 & Model ERC11 (SmokeShield®)

GUIDE CONSTRUCTION OPTIONS

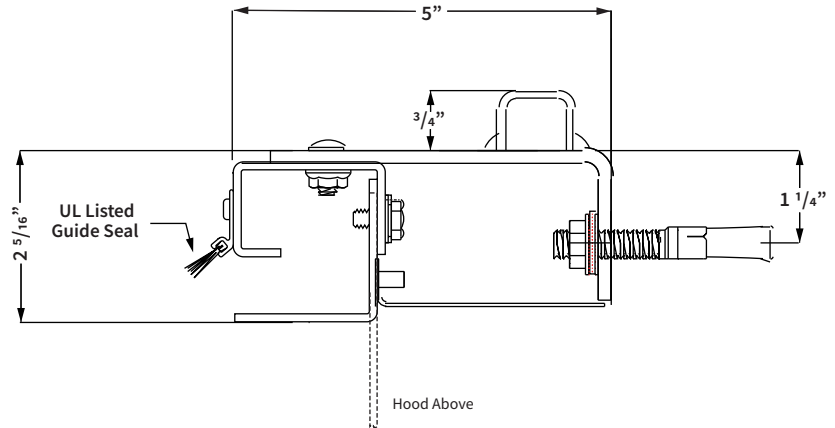
3" SHAFT FACE OF WALL

Guides are mounted to the interior or exterior side of the wall.



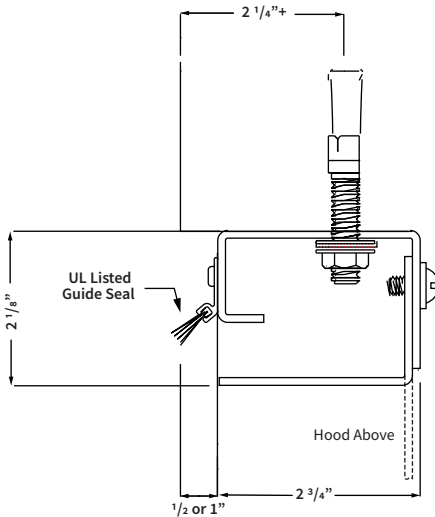
3" SHAFT BETWEEN JAMBS

Guides are mounted to the inside of the jamb.



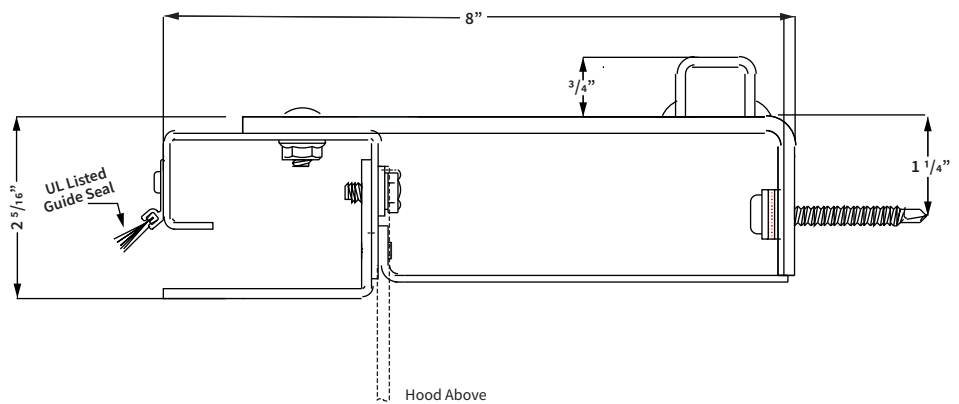
4" SHAFT FACE OF WALL

Guides are mounted to the interior or exterior side of the wall.



4" SHAFT BETWEEN JAMBS

Guides are mounted to the inside of the jamb.



The details and dimensions on this sheet are provided as a rough guide for planning purposes. Project specific details and dimensions are available by generating drawings from our website: www.cooksondoor.com/drawings

CUSTOM-DESIGNED SOLUTIONS

Our experienced Architectural Design Support Team can customize our products to fit your specific application.

Call 800.233.8366 ext. 4551 • architecturaldesignsupport@cornellcookson.com