

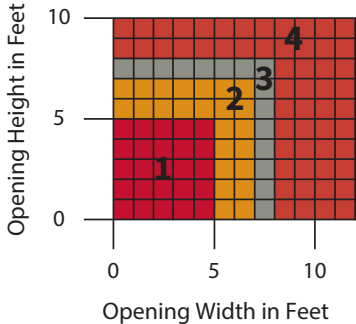
FIRE PROTECTIVE CLOSURE

# FIRE RATED COUNTER SHUTTER

Model ERC10

### MEASURE THE WIDTH AND HEIGHT OF THE OPENING

#### GRILLE SIZE AND AREA



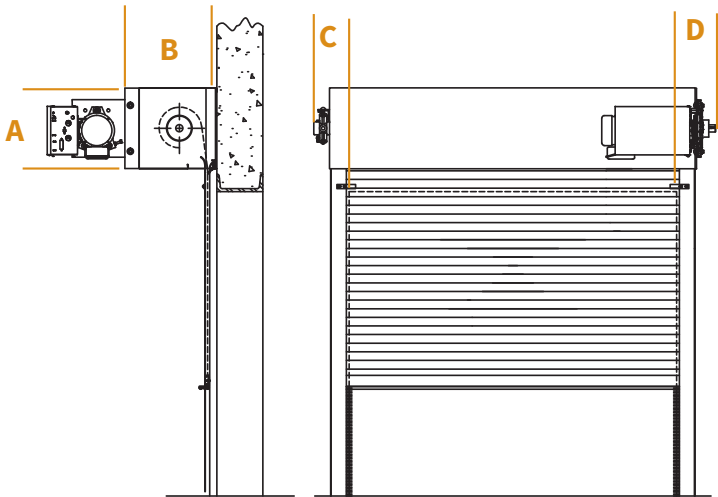
#### COMPONENT DIMENSIONS

Reference the zone number to view component dimensions for motorized doors.

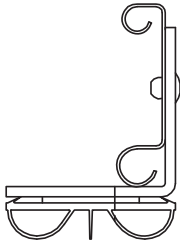
1	11	11	3	5
2	11	11	3	5
3	12	12	3	5
4	13	13	3	5

Dimensions in Inches

Zone A B C D



#### ANGLE BOTTOM BAR

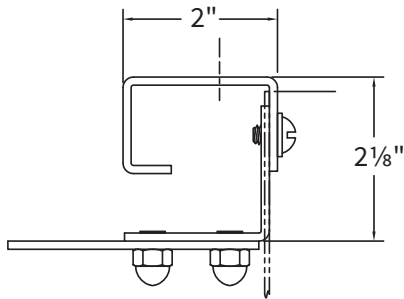


The dimensions featured on this sheet are provided as a guide. Please visit our website at [www.cooksondoor.com/drawings](http://www.cooksondoor.com/drawings) to generate drawings on demand with exact dimensions.

### GUIDE CONSTRUCTION OPTIONS

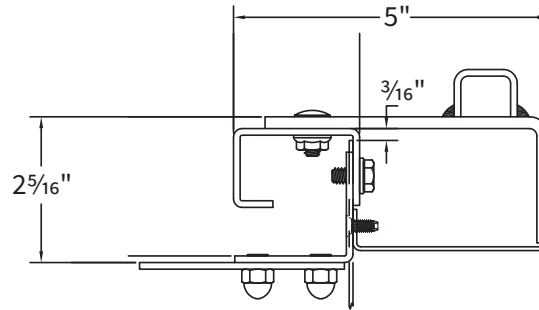
#### 3" SHAFT FACE OF WALL

Used most often, guides are mounted to the interior or exterior side of the wall.



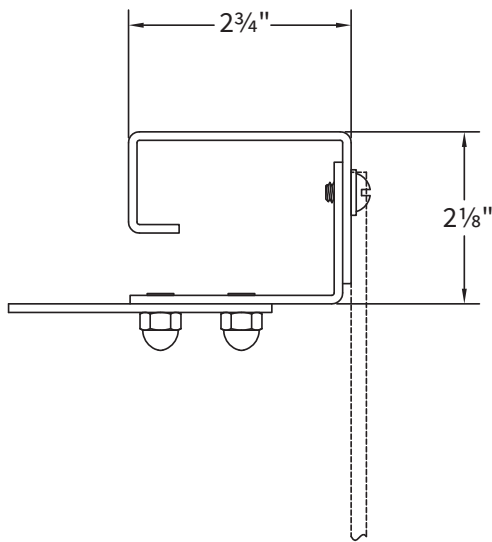
#### 3" SHAFT BETWEEN JAMBS

Used when side clearance is minimal, guides are mounted to the inside of the jamb.



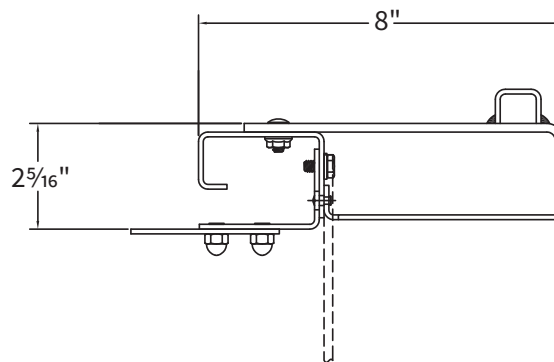
#### 4" SHAFT FACE OF WALL

Used most often, guides are mounted to the interior or exterior side of the wall.



#### 4" SHAFT BETWEEN JAMBS

Used when side clearance is minimal, guides are mounted to the inside of the jamb.



The dimensions featured on this sheet are provided as a guide. Please visit our website at [www.cooksondoor.com/drawings](http://www.cooksondoor.com/drawings) to generate drawings on demand with exact dimensions.

---

### CUSTOM-DESIGNED SOLUTIONS

Our experienced Architectural Design Support Team can customize our products to fit your specific application. Call 800.294.4358 ext. 1280 or email [ads@cooksondoor.com](mailto:ads@cooksondoor.com).