

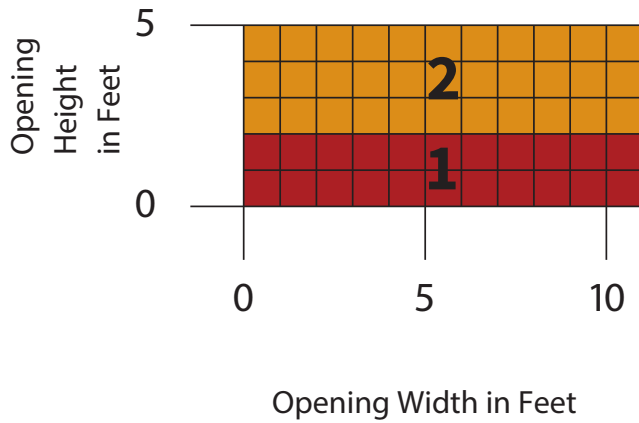
ROLLING COUNTER DOOR

ROLLING COUNTER DOOR

Model ESC20 (integral frame)

MEASURE THE WIDTH AND HEIGHT OF THE OPENING

DOOR SIZE AND AREA

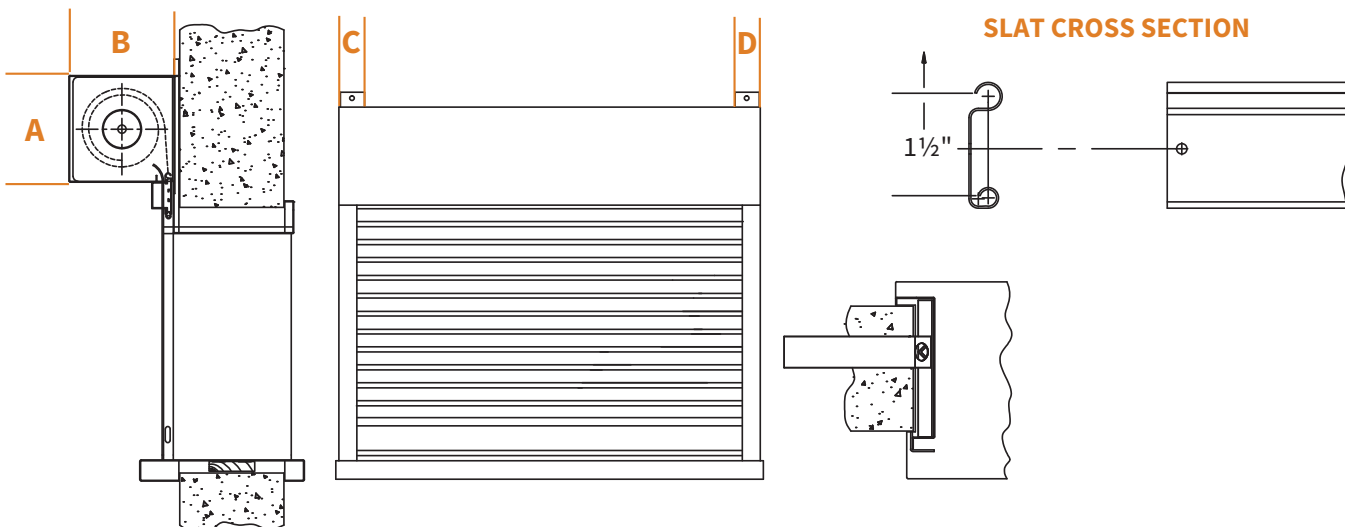


COMPONENT DIMENSIONS

Reference the zone number to view component dimensions for motorized doors.

Dimensions in Inches

1	7.75	8	0	0
2	9.75	10	0	0
Zone	A	B	C	D



The dimensions featured on this sheet are provided as a rough guide for planning purposes. Exact dimensions cannot be provided until field conditions and all options are confirmed. Once field conditions are confirmed, please visit our website at www.cooksondoor.com/drawings to generate custom drawings on demand for your specific opening.

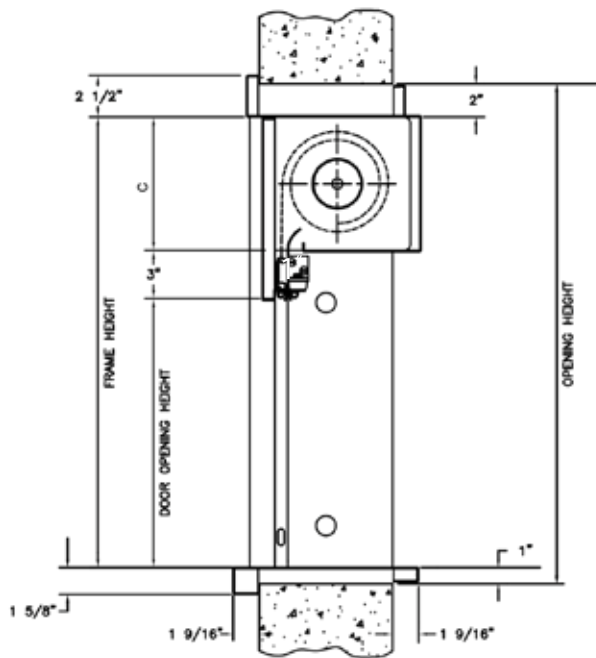
ROLLING COUNTER DOOR **ROLLING COUNTER DOOR Model ESC20**

GUIDE CONSTRUCTION OPTIONS

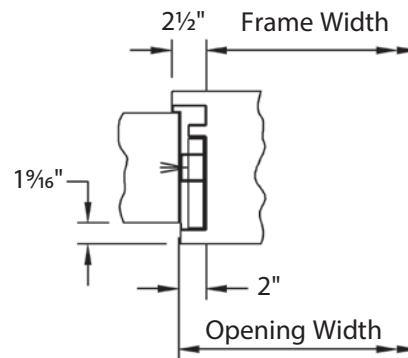
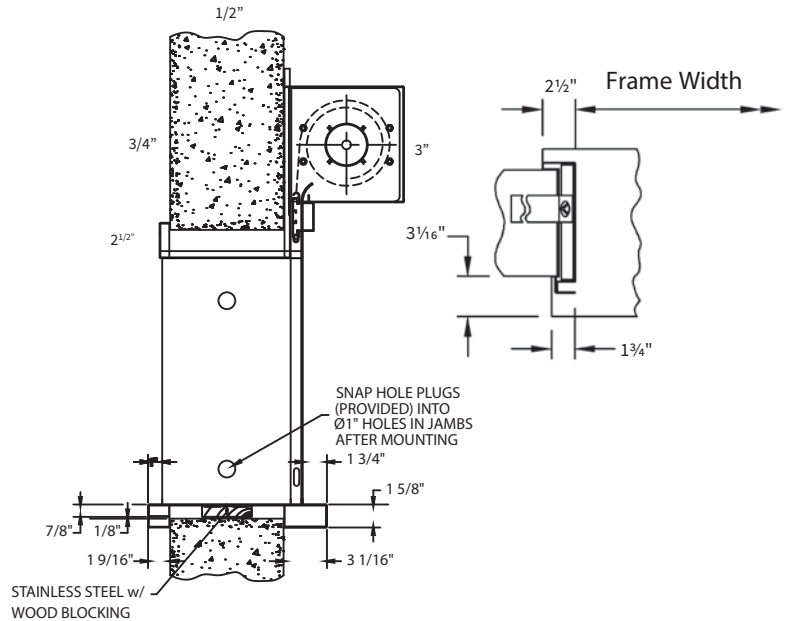
FACE OF WALL UNIT



BETWEEN JAMBS UNIT (SLIP IN)



FACE MOUNTED (BUILT IN)



CLEARANCES

H (CLEAR OPENING HEIGHT)	C
Up to 2'6" inclusive	8"
Over 2'6" to 4' 10"	10"

The dimensions featured on this sheet are provided as a rough guide for planning purposes. Exact dimensions cannot be provided until field conditions and all options are confirmed. Once field conditions are confirmed, please visit our website at www.cooksondoor.com/drawings to generate custom drawings on demand for your specific opening.

CUSTOM-DESIGNED SOLUTIONS

Our experienced Architectural Design Support Team can customize our products to fit your specific application.

Call 800.233.8366 ext. 4551 • architecturalsupport@cornellcookson.com

800.294.4358 | cooksondoor.com

CornellCookson, Inc. is an ISO 9001:2008 registered company
2.2018

Preferred door solutions.[®]
COOKSON