

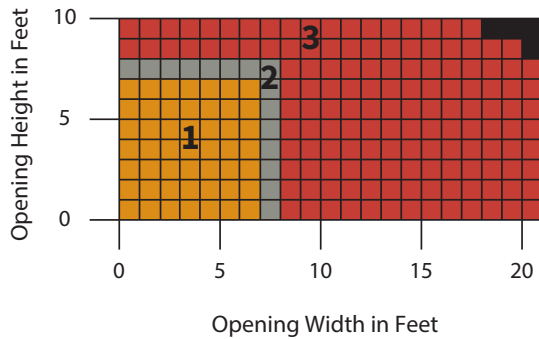
ROLLING COUNTER DOOR

ROLLING COUNTER DOOR

Model ESC10

MEASURE THE WIDTH AND HEIGHT OF THE OPENING

DOOR SIZE AND AREA*

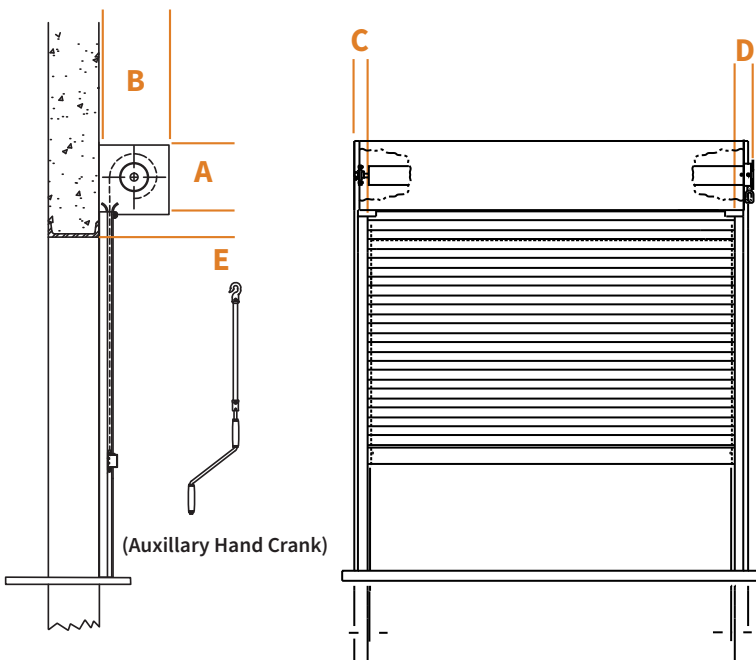


*Chart based on 22 gauge steel slats with tube motor operation

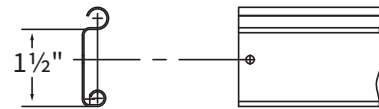
COMPONENT DIMENSIONS

Reference the zone number to view component dimensions for tube motorized doors.

1	11	11	3	5	MIN UPSET BETWEEN 2"-5" DEPENDING ON CONFIGURATION
2	12	12	3	5	
3	13	13	3	5	
Zone	A	B	C	D	E



SLAT CROSS SECTION



The details and dimensions on this sheet are provided as a rough guide for planning purposes. Project specific details and dimensions are available by generating drawings from our website: www.cooksondoor.com/drawings

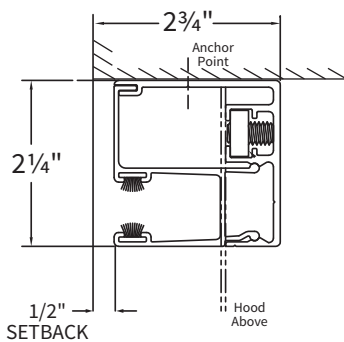
ROLLING COUNTER DOOR **ROLLING COUNTER DOOR Model ESC10**

GUIDE CONSTRUCTION OPTIONS

EXTRUDED ALUMINUM

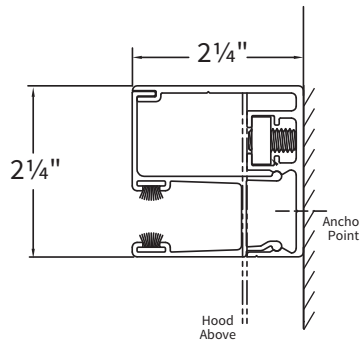
FACE OF WALL (ALL OPERATION TYPES)

Guides are mounted to the interior or exterior side of the wall.



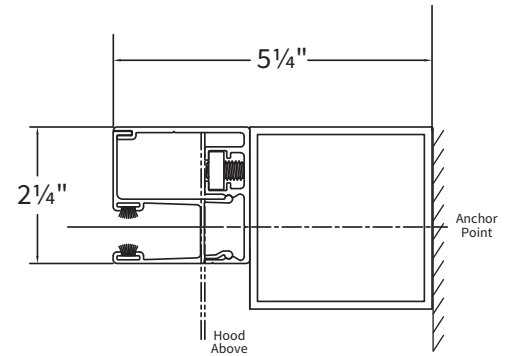
BETWEEN JAMBS (FOR PUSHUP)

Guides are mounted to the inside of the jamb.



BETWEEN JAMBS (FOR CRANK OR MOTOR)

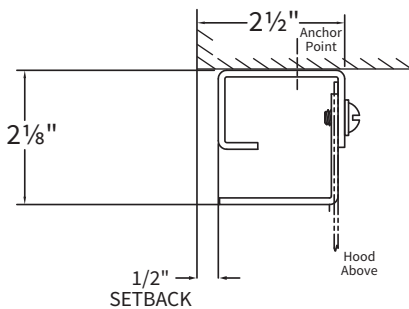
Guides are mounted to the inside of the jamb.



STEEL

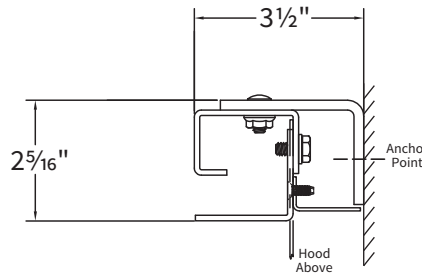
FACE OF WALL (ALL OPERATION TYPES)

Guides are mounted to the interior or exterior side of the wall.



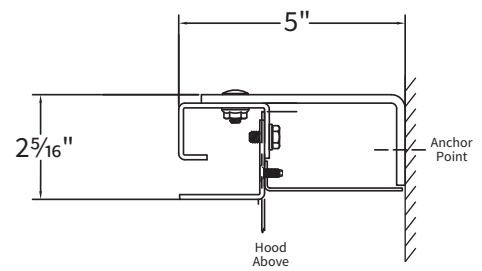
BETWEEN JAMBS (FOR PUSHUP)

Guides are mounted to the inside of the jamb.



BETWEEN JAMBS (FOR CRANK OR MOTOR)

Guides are mounted to the inside of the jamb.



The details and dimensions on this sheet are provided as a rough guide for planning purposes. Project specific details and dimensions are available by generating drawings from our website: www.cooksondoor.com/drawings

CUSTOM-DESIGNED SOLUTIONS

Our experienced Architectural Design Support Team can customize our products to fit your specific application. Call 800.233.8366 ext. 4551 • architecturaldesignsupport@cornellcookson.com

800.294.4358 | cooksondoor.com

CornellCookson, Inc. is an ISO 9001:2008 registered company
07.2018

Preferred door solutions®
COOKSON