

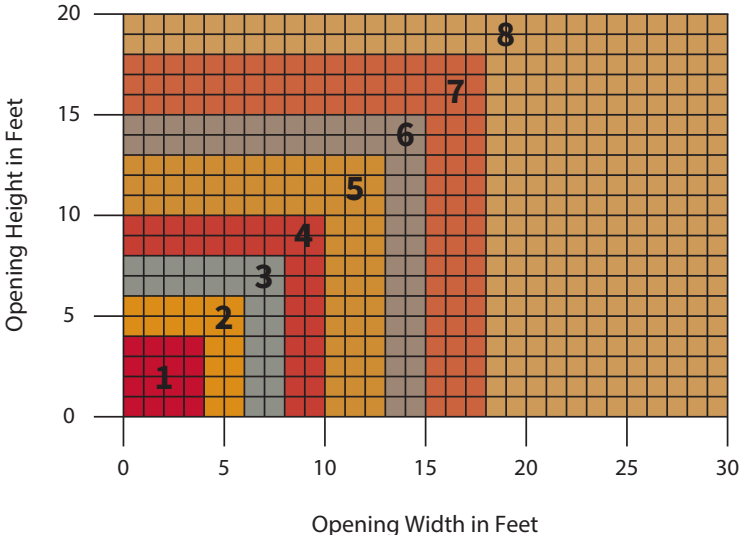
ROLLING GRILLES

5015 ROLLING GRILLE

Model 5015

MEASURE THE WIDTH AND HEIGHT OF THE OPENING

GRILLE SIZE AND AREA



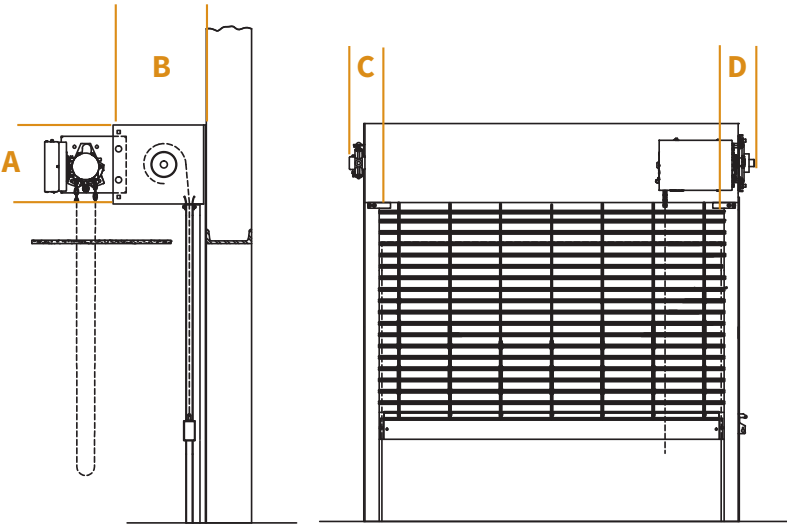
COMPONENT DIMENSIONS

Reference the zone number to view component dimensions for motorized doors.

1	14	16	6	6.125
2	15	17	6	6.125
3	16	18	6	6.125
4	17	19	6	6.125
5	18	20	6	6.125
6	19	21	6	6.125
7	20	22	6	6.125
8	21	23	6	6.125

Dimensions in Inches

Zone A B C D



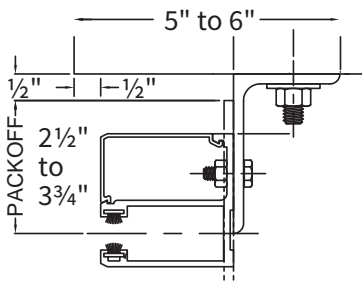
The dimensions featured on this sheet are provided as a guide. Please consult factory for exact dimensions.

ROLLING GRILLES **5015 ROLLING GRILLE Model 5015**

GUIDE CONSTRUCTION OPTIONS

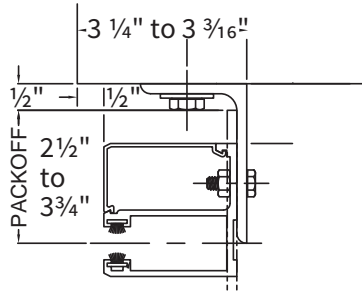
FACE OF WALL Z

Typically used with masonry wall construction, guides are mounted to the interior or exterior side of the wall.



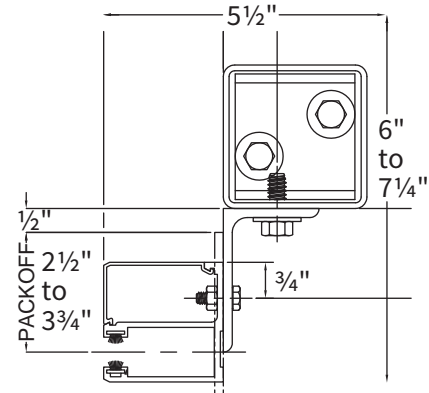
FACE OF WALL E

Typically used with steel jambs, guides are mounted to the interior or exterior side of the wall.



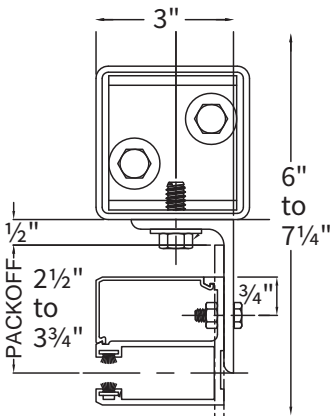
FACE OF WALL Z WITH TUBES

Used when there is uneven or insufficient wall structure, guides are mounted to tubes attached to floor and overhead structure.



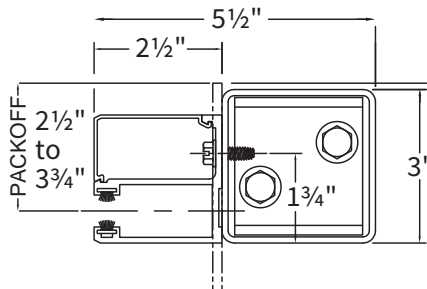
FACE OF WALL E WITH TUBES

Used when there is uneven or insufficient wall structure, guides are mounted to tubes attached to floor and overhead structure.

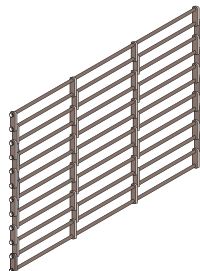


BETWEEN JAMBS WITH TUBES 3x3

Typically used if there's no wall support, and tubes and guides need to be recessed within the wall construction



The dimensions featured on this sheet are provided as a guide. Please visit our website at www.cooksondoor.com/drawings to generate drawings on demand with exact dimensions.



CURTAIN DESIGN $\frac{3}{16}$ " thick aluminum links with $\frac{5}{16}$ " solid aluminum rods spaced 1 1/2" apart and 1/2" diameter composite tube spacers on every rod.

CUSTOM-DESIGNED SOLUTIONS

Our experienced Architectural Design Support Team can customize our products to fit your specific application. Call 800.294.4358 ext. 1280 or email ads@cooksondoor.com.