

EXTREME[®] 300 SERIES GRILLE

Models EPG324 (straight) and EPG324B (brick)

MEASURE THE WIDTH AND HEIGHT OF THE OPENING

FACE OF WALL

6'	15"	15"	5.5"	11"	7"
7'	15"	15"			
8'	16"	16"			
9'	16"	16"			
10'	16"	16"			
11'	17"	17"			
12'	17"	17"			
13'	18"	18"			
14'	18"	18"			
15'	19"	19"			
16'	19"	19"			

BETWEEN JAMBS

6'	17"	17"	5.5"	11"	7"
7'	17"	17"			
8'	17"	17"			
9'	17"	17"			
10'	17"	17"			
11'	17"	17"			
12'	17"	17"			
13'	18"	18"			
14'	18"	18"			
15'	19"	19"			
16'	19"	19"			

HEIGHT

A

B

C

D

E

HEIGHT

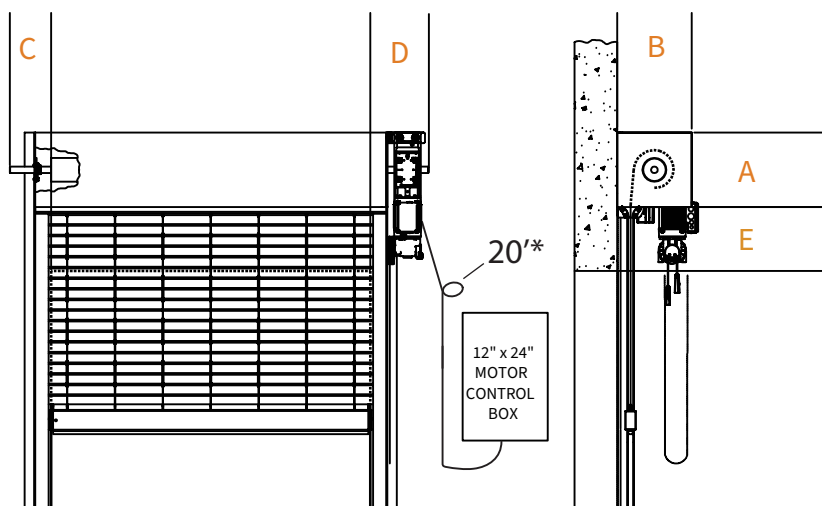
A

B

C

D

E



CURTAIN DESIGNS



Straight



Brick

The dimensions featured on this sheet are provided as a guide. Please visit our website at www.cooksondoor.com/drawings to generate drawings on demand with exact dimensions.

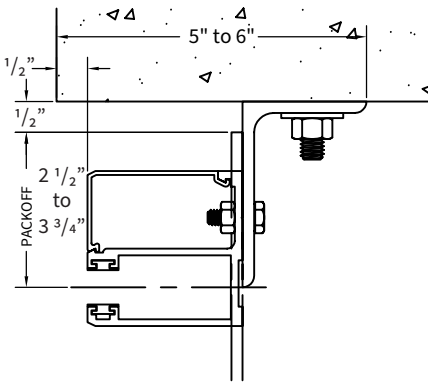
HIGH PERFORMANCE LINE **EXTREME® 300 SERIES GRILLE**

Models EPG324 (straight) and EPG324B (brick)

GUIDE CONSTRUCTION OPTIONS

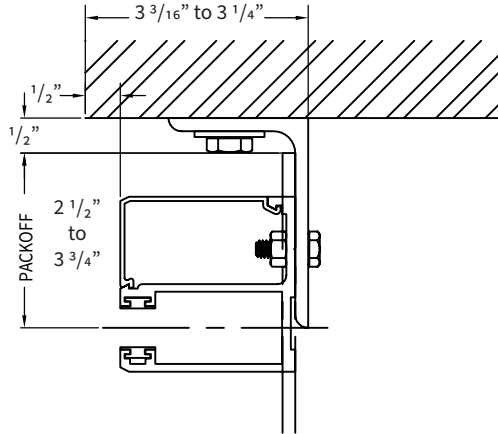
FACE OF WALL Z

Typically used with masonry wall construction, guides are mounted to the interior or exterior side of the wall.



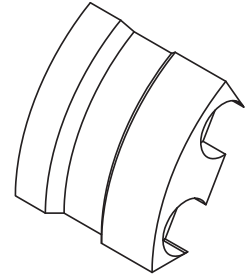
FACE OF WALL E

Typically used with steel jambs, guides are mounted to the interior or exterior side of the wall.



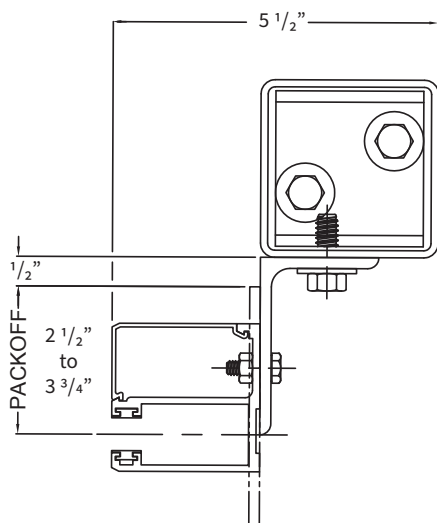
BELLMOUTH UHMW HIGH CYCLE

For quiet, efficient operation



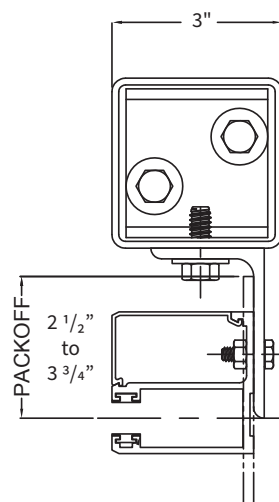
FACE OF WALL Z WITH 3x3 TUBES

Used when there is uneven or insufficient wall structure, guides are mounted to tubes attached to floor and overhead structure.



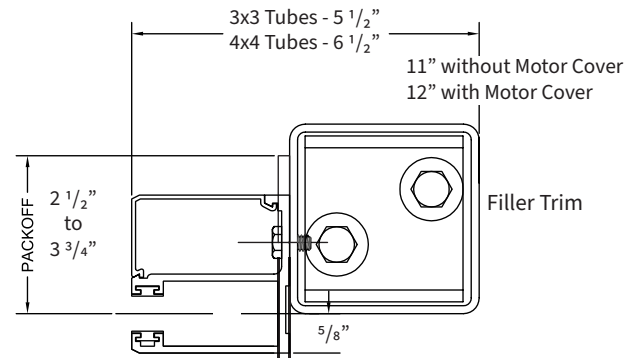
FACE OF WALL E WITH 3x3 TUBES

Used when there is uneven or insufficient wall structure, guides are mounted to tubes attached to floor and overhead structure.



BETWEEN JAMBS WITH SQUARE TUBES (3x3 & 4x4 STEEL TUBES AVAILABLE)

Typically used if there's no wall support, trim piece required to provide clearance for operator.



The dimensions featured on this sheet are provided as a guide. Please visit our website at www.cooksondoor.com/drawings to generate drawings on demand with exact dimensions.

CUSTOM-DESIGNED SOLUTIONS

Our experienced Architectural Design Support Team can customize our products to fit your specific application.

☎ 877.537.4567 ✉ arch@cornellcookson.com