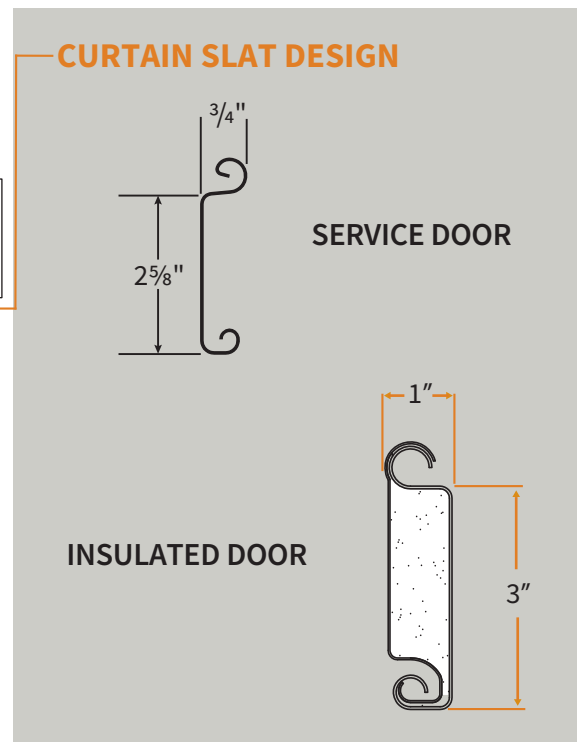
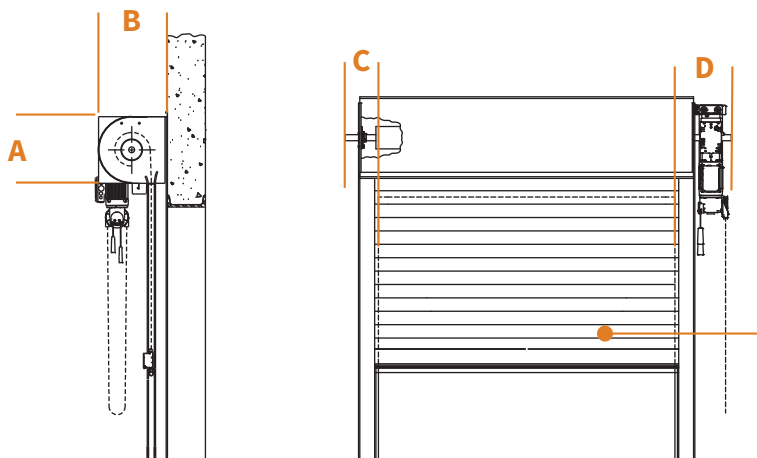


EXTREME[®] 300 SERIES PERFORMANCE DOOR

Models EPD 300 (service door curtain) and EPI 300 (insulated curtain)

MEASURE THE WIDTH AND HEIGHT OF THE DOOR OPENING

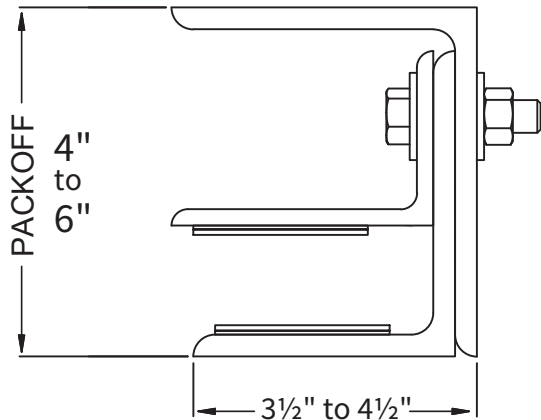
SERVICE DOOR					INSULATED DOOR				
HEIGHT	A	B	C	D	HEIGHT	A	B	C	D
6'	15"	16"	7 1/4"	13 1/4" - 14 1/4"	6'	16"	16.5"	7 1/4"	13 1/4" - 14 1/4"
7'	15"	16"			7'	17"	17.5"		
8'	15"	16"			8'	18"	18.5"		
9'	15"	16"			9'	18"	18.5"		
10'	15"	16"			10'	19"	19.5"		
11'	16"	17"			11'	20"	20.5"		
12'	16"	17"			12'	20"	20.5"		
13'	16"	17"			13'	21"	21.5"		
14'	17"	18"			14'	21"	21.5"		
15'	17"	18"			15'	N/A	N/A		
16'	17"	18"			16'	N/A	N/A		



The dimensions featured on this sheet are provided as a guide. Please visit our website at www.cooksondoor.com/drawings to generate drawings on demand with exact dimensions.

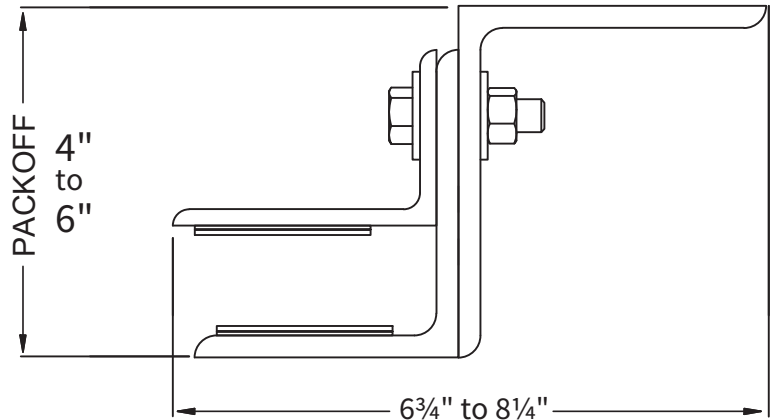
SERVICE AND INSULATED ROLLING DOORS **300 SERIES** Models EPS300, EPI300

SERVICE DOOR



E GUIDE

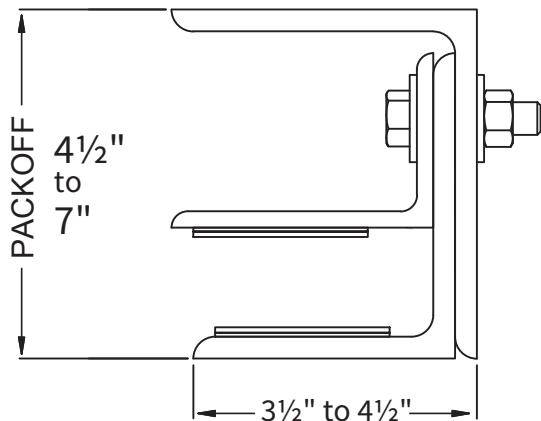
Typically used with steel jambs



Z GUIDE

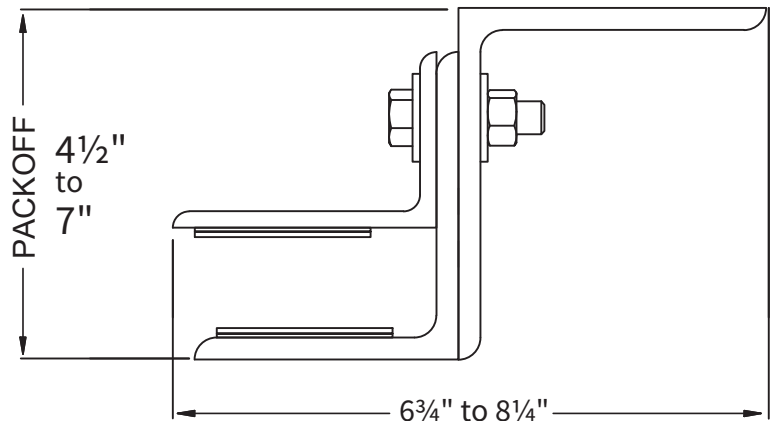
Typically used with masonry wall construction

INSULATED DOOR



E GUIDE

Typically used with steel jambs



Z GUIDE

Typically used with masonry wall construction

The dimensions featured on this sheet are provided as a guide. Please visit our website at www.cooksondoor.com/drawings to generate drawings on demand with exact dimensions.

CUSTOM-DESIGNED SOLUTIONS

Our experienced Architectural Design Support Team can customize our products to fit your specific application. Call 800.233.8366 ext. 4551 • architecturalsupport@cornellcookson.com

Remember, three main factors when choosing a guide construction are:

1. Wall construction
2. Operation
3. Side clearance