

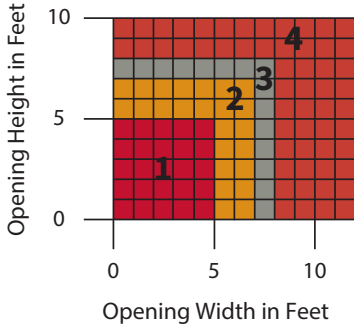
FIRE SAFETY CLOSURE

FIRE RATED COUNTER SHUTTER

Model ERC10

MEASURE THE WIDTH AND HEIGHT OF THE OPENING

GRILLE SIZE AND AREA



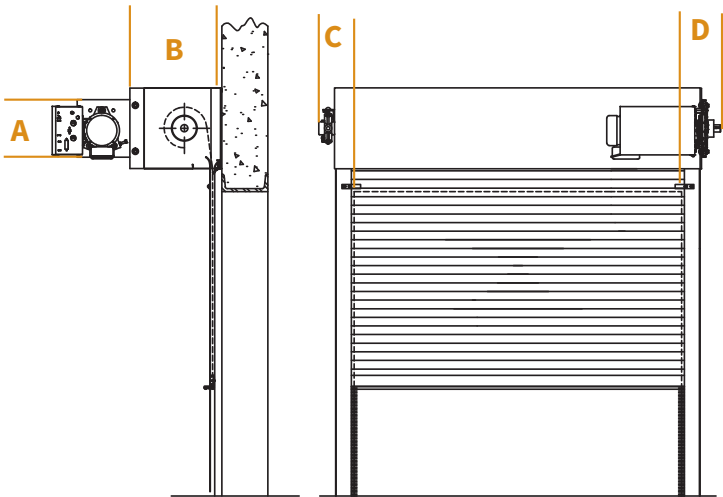
COMPONENT DIMENSIONS

Reference the zone number to view component dimensions for motorized doors.

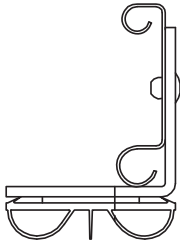
1	11	11	3	5
2	11	11	3	5
3	12	12	3	5
4	13	13	3	5

Dimensions in Inches

Zone A B C D



ANGLE BOTTOM BAR



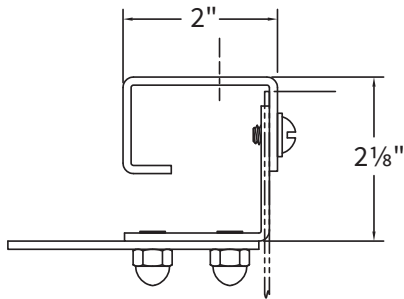
The dimensions featured on this sheet are provided as a guide. Please visit our website at www.cooksondoor.com/drawings to generate drawings on demand with exact dimensions.

FIRE SAFETY CLOSURE **FIRE RATED COUNTER SHUTTER Model ERC10**

GUIDE CONSTRUCTION OPTIONS

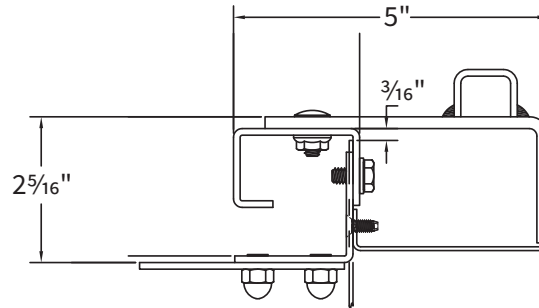
3" SHAFT FACE OF WALL

Used most often, guides are mounted to the interior or exterior side of the wall.



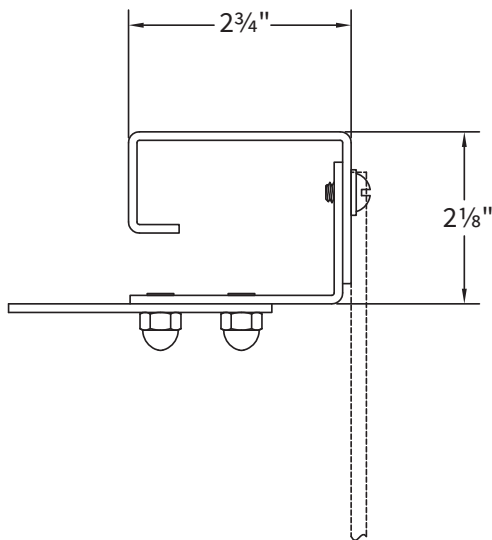
3" SHAFT BETWEEN JAMBS

Used when side clearance is minimal, guides are mounted to the inside of the jamb.



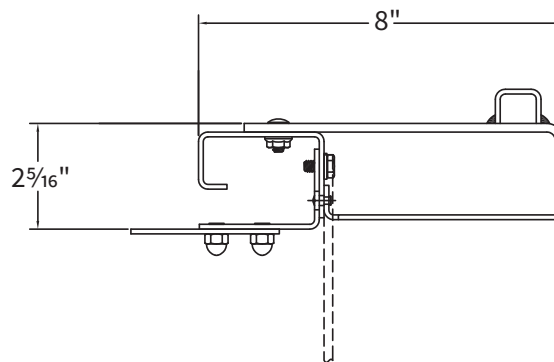
4" SHAFT FACE OF WALL

Used most often, guides are mounted to the interior or exterior side of the wall.



4" SHAFT BETWEEN JAMBS

Used when side clearance is minimal, guides are mounted to the inside of the jamb.



The dimensions featured on this sheet are provided as a guide. Please visit our website at www.cooksondoor.com/drawings to generate drawings on demand with exact dimensions.

CUSTOM-DESIGNED SOLUTIONS

Our experienced Architectural Design Support Team can customize our products to fit your specific application. Call 800.294.4358 ext. 1280 or email ads@cooksondoor.com.