

# ENTRYDEFENDER™ DOOR

Model PED0101 (05, 15, 60)

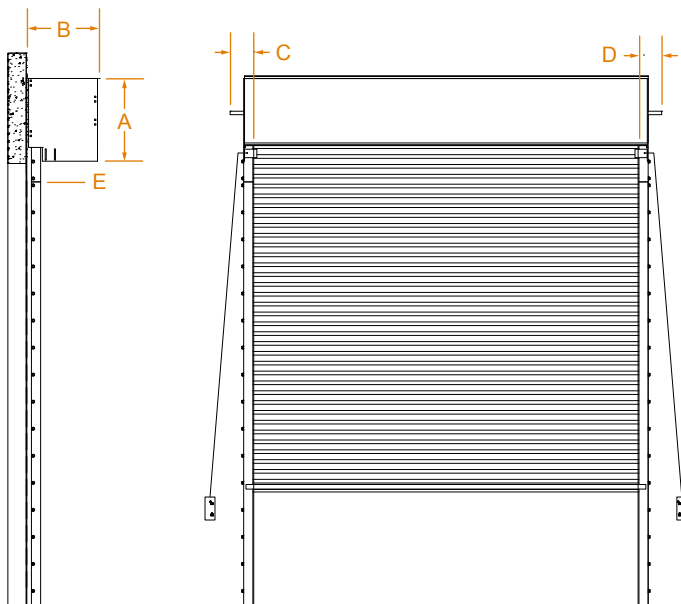


## MEASURE THE HEIGHT AND WIDTH OF THE OPENING

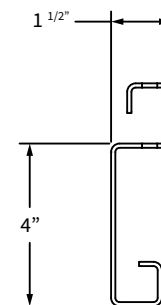
### COMPONENT DIMENSIONS

3'	19"	19"	9 5/8" to 11"	6 5/8" to 8"	14" to 15"			
4'	20"	20"						
5'	21"	21"						
6'	22"	22"						
7'	22"	22"						
8'	23"	23"						
9'	24"	24"						
10'	24"	24"						
11'	25"	25"						
12'	26"	26"						
13'	26"	26"						
14'	28"	28"						
15'	29"	29"						
16'	29"	29"						
<b>Opening Height (feet)</b>	<b>A</b>	<b>B</b>				<b>C (Operator)</b>	<b>D (Adjustor)</b>	<b>E</b>

The maximum size available will vary slightly based on the wall construction. If the wall construction is steel, the maximum size is 13' 11 1/4" wide by 16' high. If the wall construction is concrete, the maximum size is 13' 8 3/4" wide by 16' high.



### SLAT CROSS-SECTION



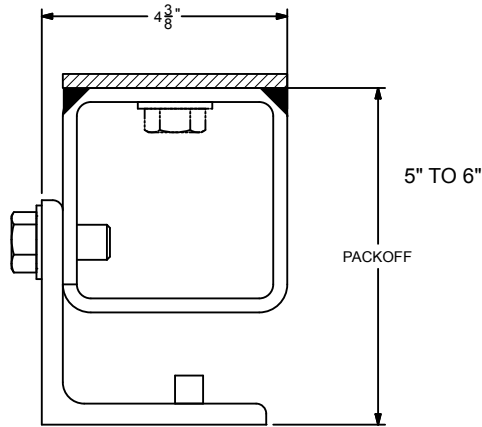
The details and dimensions on this sheet are provided as a rough guide for planning purposes. Project specific details and dimensions are available by generating drawings from our website: [www.cooksondoor.com/drawings](http://www.cooksondoor.com/drawings)

**GUIDE CONSTRUCTION OPTIONS**

**PLEASE NOTE:**  
No certified rolling door  
can be mounted to  
hollow or filled CMU.

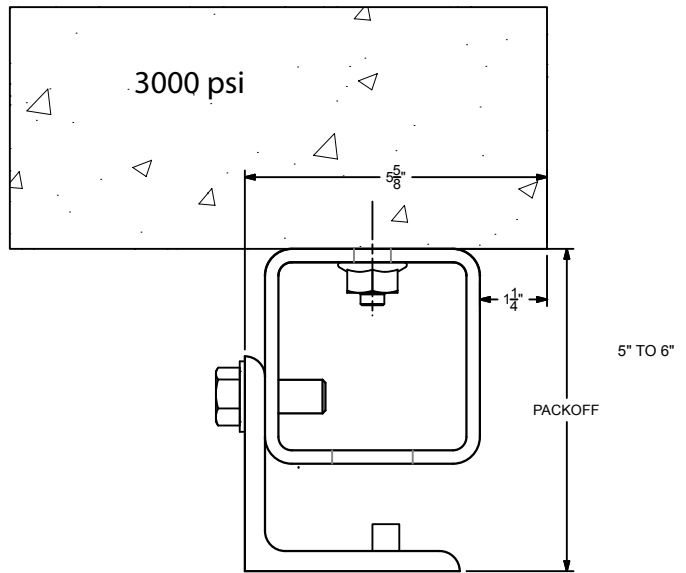
**E GUIDE**

Typically used with steel jambs with a minimum yield strength of 36 ksi.



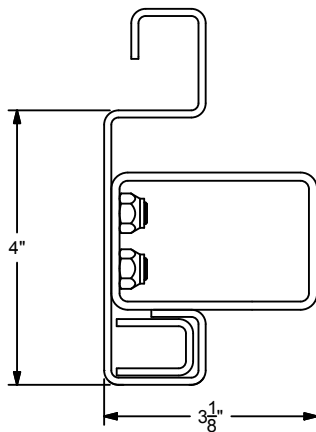
**E GUIDE**

Typically used with a concrete wall construction that is a minimum thickness of 8".



**BOTTOM BAR**

Heavy duty 12 gauge bottom bar with an 11 gauge reinforcement tube.



The details and dimensions on this sheet are provided as a rough guide for planning purposes. Project specific details and dimensions are available by generating drawings from our website: [www.cooksondoor.com/drawings](http://www.cooksondoor.com/drawings)

**CUSTOM-DESIGNED SOLUTIONS**

Our experienced Architectural Design Support Team can customize our products to fit your specific application. Call 800.233.8366 ext. 4551 • [architecturaldesignsupport@cornellcookson.com](mailto:architecturaldesignsupport@cornellcookson.com)