

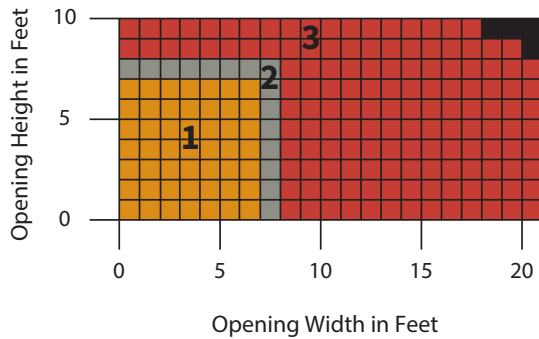
ROLLING COUNTER DOOR

# ROLLING COUNTER DOOR

Model ESC10

## MEASURE THE WIDTH AND HEIGHT OF THE OPENING

### DOOR SIZE AND AREA\*



\*Chart based on 22 gauge steel slats with tube motor operation

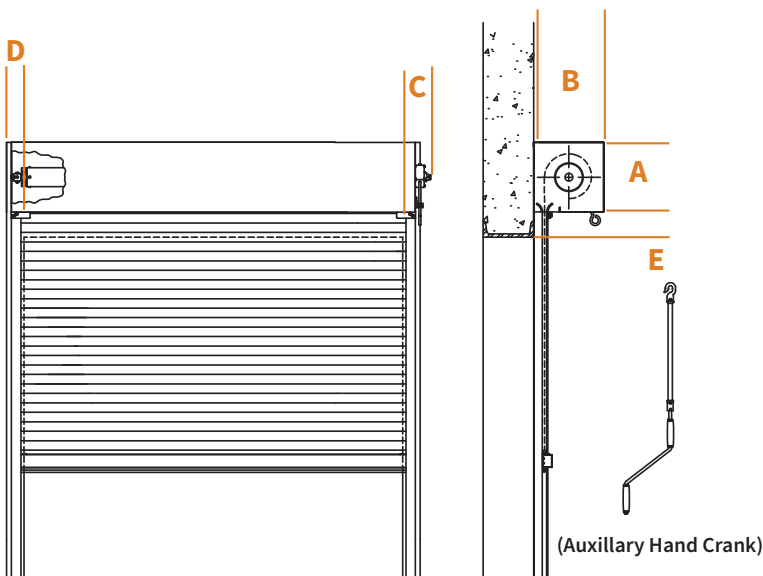
Dimensions in Inches

### COMPONENT DIMENSIONS

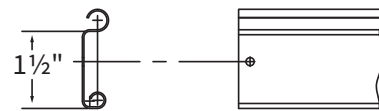
Reference the zone number to view component dimensions for tube motorized doors.

1	11	11	3	5	MIN UPSET BETWEEN 2"-5" DEPENDING ON CONFIGURATION
3	12	12	3	5	
4	13	13	3	5	

Zone A B C D E



### SLAT CROSS SECTION



The dimensions featured on this sheet are provided as a rough guide for planning purposes. Exact dimensions cannot be provided until field conditions and all options are confirmed. Once field conditions are confirmed, please visit our website at [www.cooksondoor.com/drawings](http://www.cooksondoor.com/drawings) to generate custom drawings on demand for your specific opening.

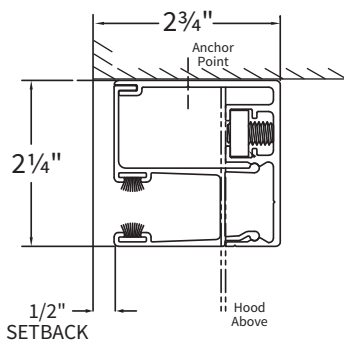
# ROLLING COUNTER DOOR **ROLLING COUNTER DOOR Model ESC10**

## GUIDE CONSTRUCTION OPTIONS

### EXTRUDED ALUMINUM

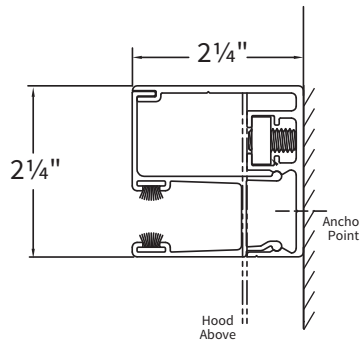
#### FACE OF WALL (ALL OPERATION TYPES)

Guides are mounted to the interior or exterior side of the wall.



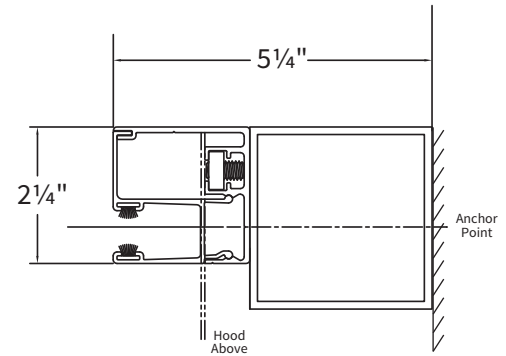
#### BETWEEN JAMBS (FOR PUSHUP)

Guides are mounted to the inside of the jamb.



#### BETWEEN JAMBS (FOR CRANK OR MOTOR)

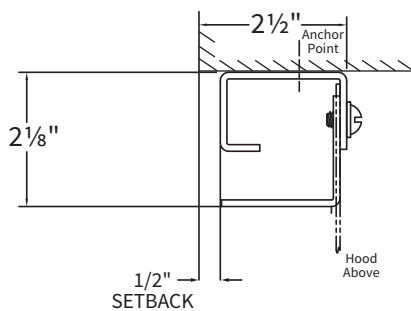
Guides are mounted to the inside of the jamb.



### STEEL

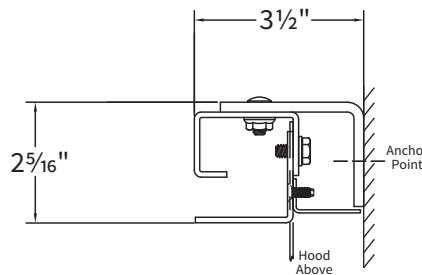
#### FACE OF WALL (ALL OPERATION TYPES)

Guides are mounted to the interior or exterior side of the wall.



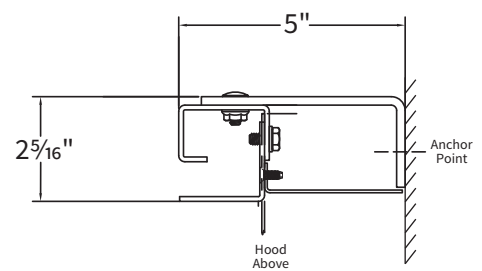
#### BETWEEN JAMBS (FOR PUSHUP)

Guides are mounted to the inside of the jamb.



#### BETWEEN JAMBS (FOR CRANK OR MOTOR)

Guides are mounted to the inside of the jamb.



The dimensions featured on this sheet are provided as a rough guide for planning purposes. Exact dimensions cannot be provided until field conditions and all options are confirmed. Once field conditions are confirmed, please visit our website at [www.cooksondoor.com/drawings](http://www.cooksondoor.com/drawings) to generate custom drawings on demand for your specific opening.

## CUSTOM-DESIGNED SOLUTIONS

Our experienced Architectural Design Support Team can customize our products to fit your specific application. Call 800.233.8366 ext. 4551 • [architecturaldesignsupport@cornellcookson.com](mailto:architecturaldesignsupport@cornellcookson.com)

800.294.4358 | [cooksondoor.com](http://cooksondoor.com)

CornellCookson, Inc. is an ISO 9001:2008 registered company  
07.2018

Preferred door solutions®  
**COOKSON**