

SG OPERATOR

DESIGNED FOR CONTINUOUS USE

SUPER-DUTY GEAR-HEAD OPERATORS

Standard Features and Benefits

- Compact operator/mounting configuration is ideal for coiling doors - operators always fit within the coil height dimension
- Consistent mounting, appearance and wiring - across full line of operator models
- Considerably lighter weight than competitive gear-head operator models
- Auxiliary chain for emergency operation, just pull to operate
- UL Listed
- Programmable seven segment LED display
- Cycle counter
- Terminal connection for a monitored entrapment protection device
- Programmable timer to close
- Mid-open timer dry contact open warning timer
- Open warning timer (dry contact only)
- Onboard open and close limit signaling connections
- 24 VDC warning output signal when the door is moving
- On board Open/Close/Stop buttons
- Close override if the entrapment protection device short circuits

Option:

- Module for secondary monitored entrapment protection device

Standard Components

Drive Reduction: Lubricated, heavy-duty gears.

Auto-Reset Thermal Protection: Prevents motor burnout.

Limit Switches: Linear driven, fully adjustable screw-type cams.

Operator Safety Feature: Activating “Open,” “Stop” or a remote transmitter button stops the movement of a closing door.

Pre-Wired for Sensing Edge/Sensing Devices: A sensing edge, photo eyes or other detection devices can be easily connected. Standard one second time delay prior to reversing prevents damage to door and operator.

Standard Exterior Radio-Control Terminal: Provides for easy and fast connection of radio controls.

Brake: Maintenance free, solenoid actuated brake. No adjustment required for the life of the operator.

Bearings: Heavy-duty bearings are used at all rotation points.

Auxiliary Chain Hoist: Automatically engages and disengages as hand chain is operated. Cut off switch prevents motor operation when the chain is in use.



Models

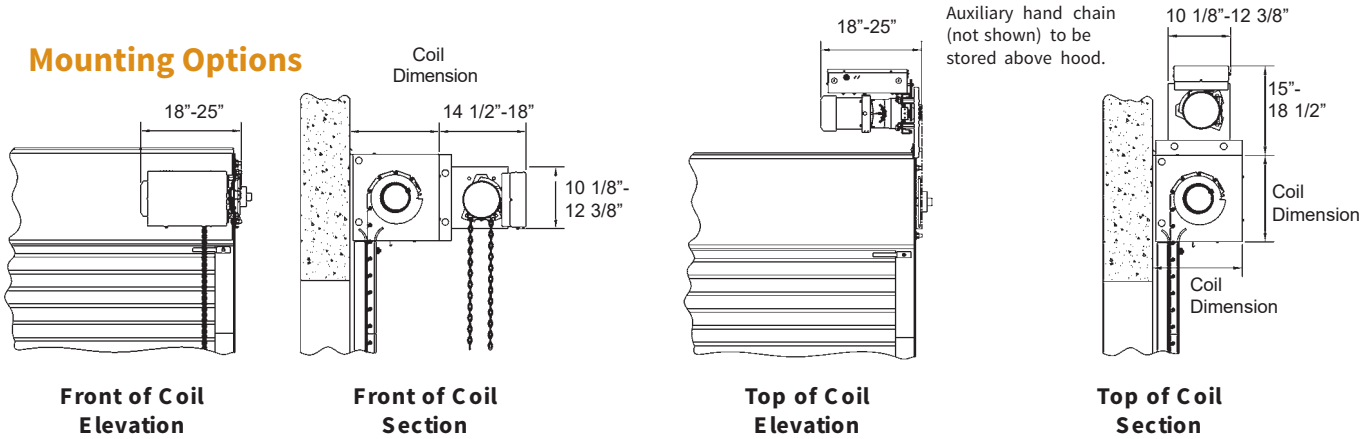
Model	SGH 50	SGH 75	SGH 100	SGH 150	SGH 200
Horsepower	1/2 hp	3/4 hp	1 hp	1 1/2 hp	2 hp
Voltage	115V/230V 460V 575V	115V/230 V 460V 575V	115V/230 V 460V 575V	115V/230V 460V 575V	230V/460V 575V
Phase	1 & 3	1 & 3	1 & 3	1 & 3	3
Frequency	50 Hz* / 60 Hz	50 Hz* / 60 Hz	50 Hz* / 60 Hz	50 Hz* / 60 Hz	50 Hz* / 60 Hz
Duty	Continuous	Continuous	Continuous	Continuous	Continuous
Drive Chain	#50	#50	#60	#60	#80
Auxiliary Hand Chain	Included	Included	Included	Included	Included

Note: 3, 5 and 7 1/2 HP operators are available. Contact Cookson for details.

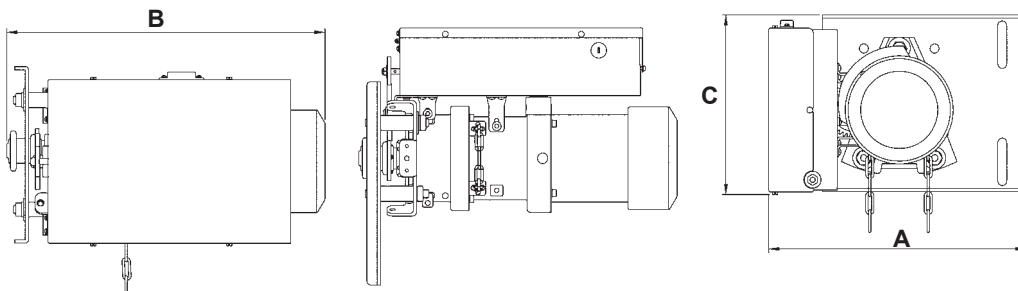
Above products are protected by patent #6,055,885. Other patents are pending.

* Additional lead time will apply. Please contact factory for details.

Mounting Options



Details and Clearances



	SGH Series		
	A	B	C
1/2 HP	14 1/2"	18"	10 1/8"
3/4 HP	14 1/2"	18 5/8"	10 1/8"
1 HP	14 5/8"	20"	12 3/8"
1 1/2 HP	14 5/8"	20 3/4"	12 3/8"
2 HP	15"	25"	11"