

ALARMGARD® CONCEAL OPERATOR

Counter Fire Doors



UNCOMPROMISING FIRE PROTECTION AND SEAMLESS INTEGRATION

The AlarmGard® Conceal delivers superior fire protection and peace of mind while greatly improving aesthetics. This UL325-listed operator is engineered for maximum space savings, featuring a compact, chain-driven sprocket and inside-the-hood mounting saving nearly a foot of backroom while outperforming traditional tube motors.

Features and Benefits

- ▶ Compact, corner of headplate mounted operator and controller under the hood
- ▶ Failsafe with AlarmGard Logic
- ▶ UL325 Listed
- ▶ Electrically activated
- ▶ Rechargeable Battery Backup will hold door open for 1 hour
- ▶ Auto reset after alarm clears
- ▶ Selectable Auto-Open and after alarm clears
- ▶ May set limits from the floor
- ▶ Soffit access switches for alarm mode & battery disconnect

Product Application Requirements

- ▶ Counter fire doors for openings from 2'-7" wide, up to 120 square feet

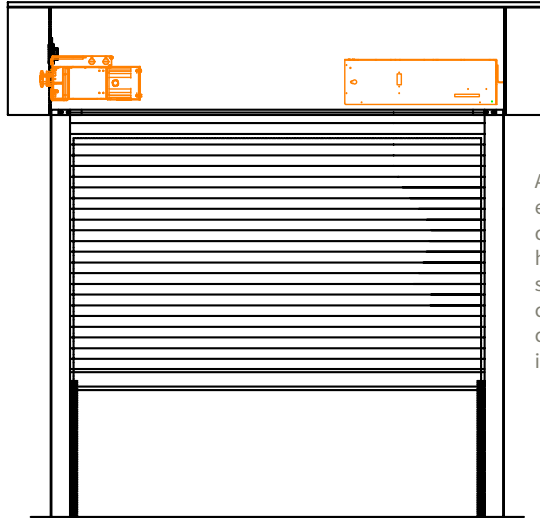
Technical Specifications

Input Voltage	120 VAC/60 Hz*
Phase	1
Duty.....	up to 20 cycles/hour

*Other voltages and phases may be available with extended lead-time. Please contact factory.

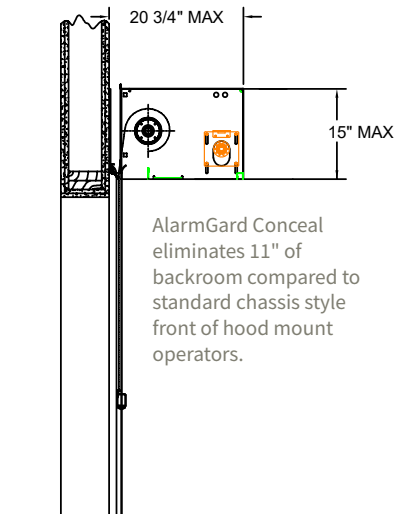
Technical Drawings

AlarmGard® Conceal Front View

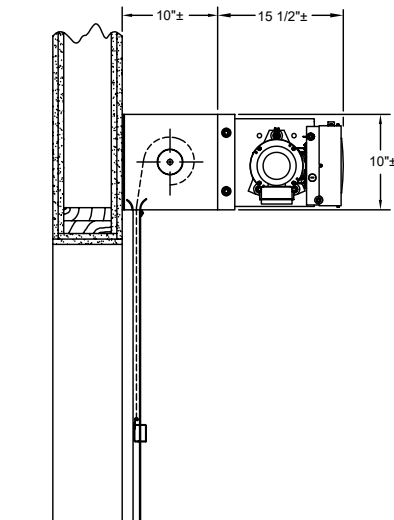


AlarmGard Conceal encloses the motor and controller within the hood, leading to a sleek soffit-style design as compared to standard chassis style operator installations.

AlarmGard® Conceal Side View



Standard AlarmGard® Motor Operator Side View



CUSTOM-DESIGNED SOLUTIONS

Our experienced Architect Design Support Team can customize our products to fit your specific application. Call 800.233.8366 ext. 4551 • architecturaldesignsupport@clipay.com