

TUBE MOTOR OPERATOR

Service Tubular AC Motor Operator with Hand Crank

STANDARD FEATURES AND BENEFITS

- ▶ Convenience of a motor in a low profile sleek design
- ▶ Easy to install and functionality consistent with our SGH operators
- ▶ Compact side room and light weight
- ▶ Improved daily cycle usage – 5 cycles/hour
- ▶ UL325 Listed
- ▶ Available in 3” and 4” type motors to work with a wide range of door sizes
- ▶ Auxiliary hand crank for emergency operation
- ▶ Cycle counter
- ▶ Terminal connection for a monitored entrapment protection device
- ▶ Onboard open and close limit signaling connections
- ▶ 24 VDC warning output signal when the door is moving
- ▶ Onboard Open/Close/Stop buttons
- ▶ Close override if the entrapment protection device short circuits

OPTIONS

- ▶ Module for secondary monitored entrapment protection device

TECHNICAL SPECIFICATIONS

Power Supply.....120 V 60Hz
 Duty.....5 - 10 cycles /hr

STANDARD COMPONENTS

AUTO-RESET THERMAL PROTECTION - Prevents Motor Burnout

ELECTRONIC LIMIT SWITCHES - Ease of setting limits through 3-button station at floor level

OPERATOR SAFETY FEATURE - Activating "Open", "Stop" or a remote transmitter button stops the movement of a closing door

PRE-WIRED FOR SENSING EDGE/SENSING DEVICES - A sensing edge, photo eyes or other detection devices can be easily connected. Standard one second time delay prior to reversing prevents damage to door and operator

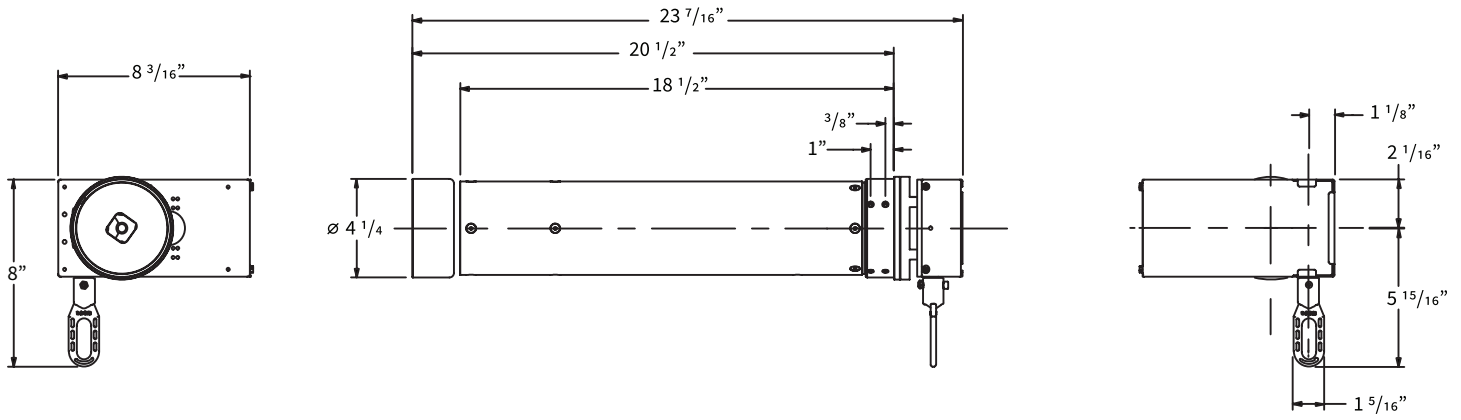
STANDARD EXTERIOR RADIO-CONTROL TERMINAL - Provides for easy and fast connection of radio controls



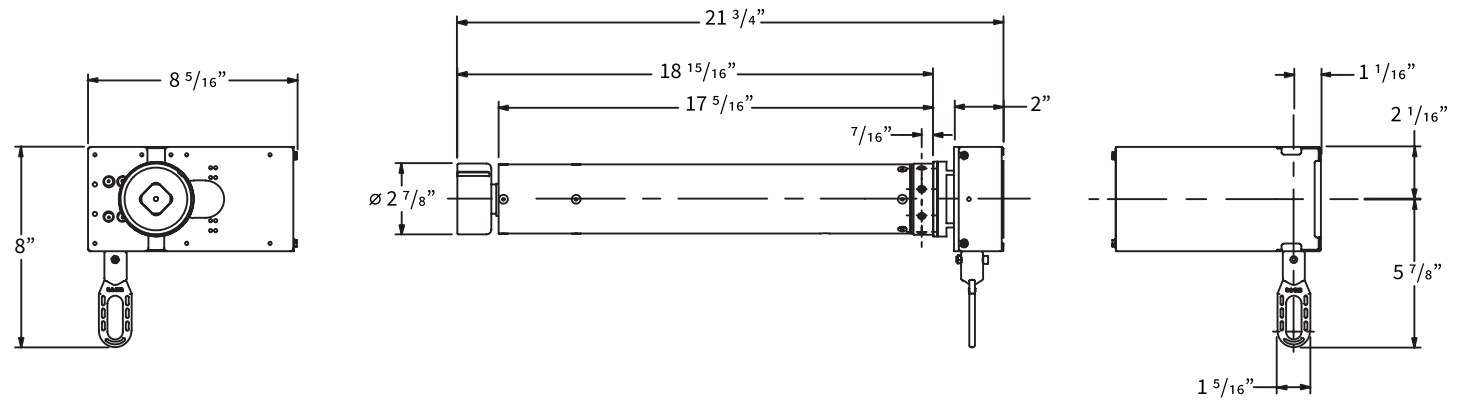
Our Tube Motor is ideal for rolling counter doors, security grilles and light gauge service doors (22 & 24 gauge).

MOTOR OPERATORS **TUBE MOTOR OPERATOR** Service Tubular AC Motor Operator with Hand Crank

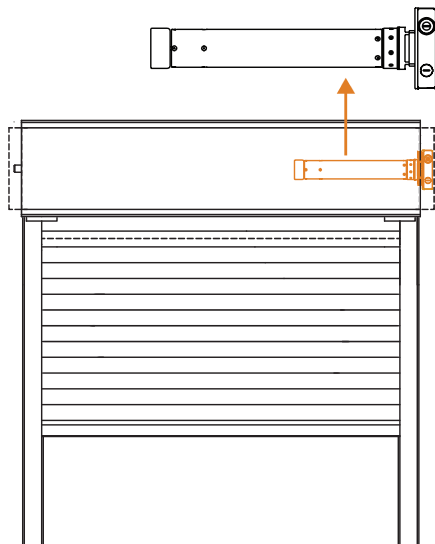
4" TUBE MOTOR



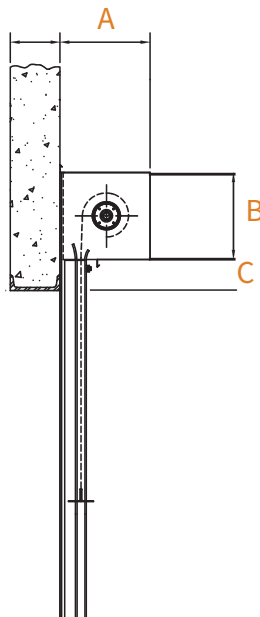
3" TUBE MOTOR



TUBE MOTOR FRONT VIEW



TUBE MOTOR SIDE VIEW



Door Type	A	B	C
Service Door	14 1/2" - 20 1/2"	14" ~ 20"	5"
Grilles	13 1/2" - 21 1/2"	13" ~ 21"	5"
Shutter	12 1/8" - 14 1/8"	12" ~ 14"	3"