

# WATERPROOF SERIES SG OPERATOR

Designed for NEMA 4/12 or NEMA 4X Applications

## Standard Features and Benefits

- Suitable for low pressure direct spray
- Compact operator/mounting configuration is ideal for coiling doors - operators always fit within the coil height dimension
- Consistent mounting, appearance and wiring - across full line of operator models
- Considerably lighter weight than competitive gear-head operator models
- Auxiliary chain for emergency operation, just pull to operate
- UL Listed
- Programmable seven segment LED display
- Cycle counter
- Terminal connection for a monitored entrapment protection device
- Programmable timer to close
- Mid-open timer, open warning timer
- Onboard open and close limit signaling connections
- 24 VDC close warning output signal
- On board Open/Close/Stop buttons
- Close override if the entrapment protection device short circuits

### Option:

- Module for secondary monitored entrapment protection device



## Standard Components

**Drive Reduction:** Lubricated, heavy-duty gears.

**Auto-Reset Thermal Protection:** Prevents motor burnout.

**Limit Switches:** Linear driven, fully adjustable screw type cams.

**Operator Safety Feature:** Activating “Open,” “Stop” or a remote transmitter button stops the movement of a closing door.

**Pre-Wired for Sensing Edge/Sensing Devices:** A sensing edge, photo eyes or other detection devices can be easily connected. Standard one second time delay prior to reversing prevents damage to door and operator.

**Standard Exterior Radio Control Terminal:** Provides for easy and fast connection of radio controls.

**Brake:** Maintenance free, solenoid actuated brake. No adjustment required for the life of the operator.

**Bearings:** Heavy-duty bearings are used at all rotation points.

**Auxiliary Chain Hoist:** Automatically engages and disengages as hand chain is operated. Cut off switch prevents motor operation when the chain is in use

# MOTOR OPERATORS **WATERPROOF SERIES SG OPERATOR**

## NEMA 4/12

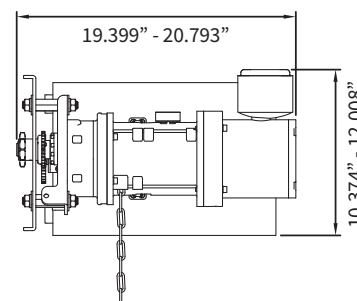
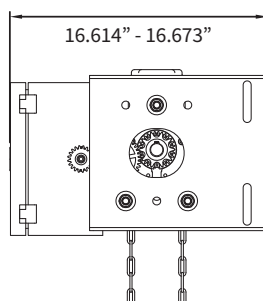
The NEMA 4/12-type comes with a totally enclosed non-ventilated (TENV) motor, a NEMA 4 control box and powder coated steel mounting plates.



## NEMA 4/12

Model	SGHN4-50	SGHN4-100	SGHN4-150
Horsepower	1/2 HP	1 HP	1 1/2 HP
Voltage	115V / 230V / 460V	115V / 230V / 460V	115V* / 230V* / 460V
Phase	1/3	1/3	1/3
Frequency	60 Hz	60 Hz	60 Hz
Duty	Continuous	Continuous	Continuous
Drive Chain	#50	#60	#60
Auxiliary Hand Chain	Included	Included	Included

\* Additional lead time may apply.  
 † Additional lead time may apply for left hand 3 phase configurations only.  
 Please contact factory for details.



## NEMA 4X

The NEMA 4X type – SGHNX Series comes with a totally enclosed non-ventilated (TENV) motor, a NEMA 4 control box and a stainless steel finish which makes it corrosion resistant.

Model	SGHNX-50	SGHNX-75	SGHNX-100	SGHNX-150	SGHNX-200
Horsepower	1/2 HP	3/4 HP	1 HP	1 1/2 HP	2 HP
Voltage	115V / 230V / 460V	115V / 230V** / 460V / 575V*	115V / 230V** / 460V / 575V*	115V* / 230V* / 460V* / 575V*	230V* / 460V* / 575V*
Phase	1/3	1/3	1/3	1/3	1/3
Frequency	60 Hz	60 Hz	60 Hz	60 Hz	60 Hz
Duty	Continuous	Continuous	Continuous	Continuous	Continuous
Drive Chain	#50	#50	#60	#60	#60
Auxiliary Hand Chain	Included	Included	Included	Included	Included

\* Additional lead time may apply.  
 † Additional lead time may apply to left hand configurations only.  
 \*\* Additional lead time may apply for single phase configurations and left hand configurations only.  
 Please contact factory for details.

