

# CROSSINGGARD® GRILLE WITH THREATPROTECT™

Model ERG-TP



## A RELIABLE, ACCESS-CONTROLLED AND EGRESS SOLUTION

### ZONING

CrossingGard® Grille with ThreatProtect gives you the option of a safe exit for evacuation or secure zoning during lockdowns—along with daily public access control. Useful for both interior and exterior applications, rolling grilles securely compartmentalize your building.

### ALARM RESPONSIVENESS

The operator on this door integrates with your existing alarm system, allowing the door to quickly close during a lockdown event and lockdown procedures to zone and section the building, keeping out hostile threats. It also opens when the fire alarm is triggered to provide safe egress for occupants.

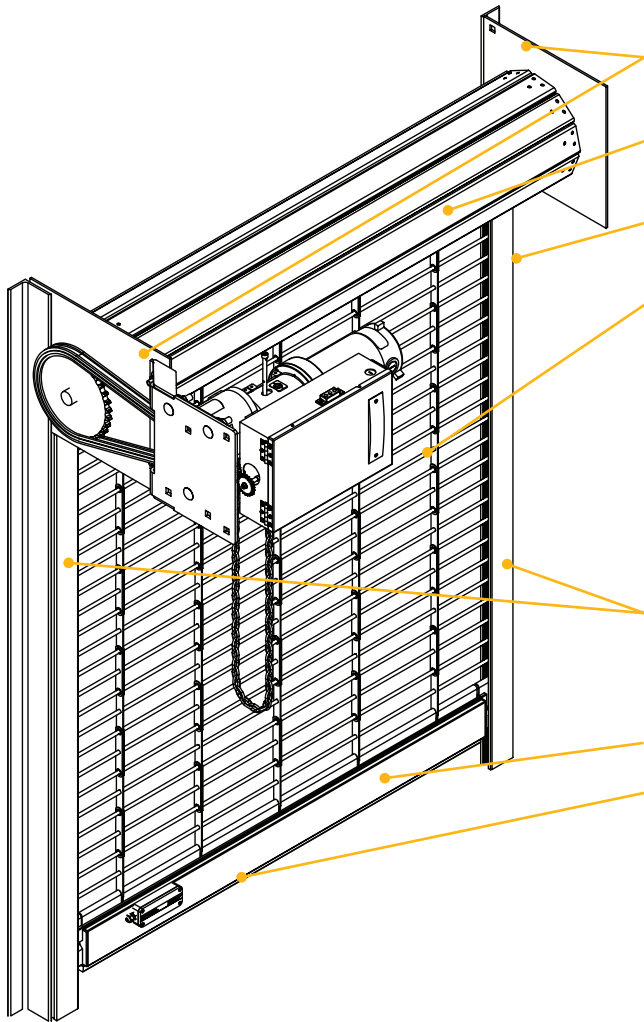
### ELEVATED SAFETY FEATURES

The specialized ThreatProtect Operator features a battery back up that ensures that the door will continue to operate in the event of a power outage. This door also comes standard with a UL325 compliant sensing edge that prevents the grille from closing on an object.

### APPLICATIONS

The CrossingGard® Grille with ThreatProtect is designed with secure zoning, lock downs and public access control in mind making it ideal for schools, hospitals, event venues, and any applications that need emergency egress paths.

## STANDARD COMPONENT MATERIALS AND FINISHES



**BRACKETS** - Steel with SpectraShield® powder coating in Gray. Bolt to guide assembly and support counter-balance shaft and curtain.

**COUNTER-BALANCE SHAFT** - Steel. Supports curtain and contains torsion springs for assisting operation.

**AUTO LOCKING LINK** - Keeps the curtain from being able to be pushed up.

### **CURTAIN**

**VISIONAIRE MODEL** - 5/16" Solid aluminum rods (alloy 5056 H32) at 2" on center with either vertical chains of eyeleted aluminum spaced at 9" apart (chains may also be specified at 6" or 3" apart) or heavy-duty aluminum links are staggered by tube spacers.

**5015 MODEL** - 3/16" thick aluminum links with 5/16" solid aluminum rods spaced 11/2" apart and 1/2" diameter composite tube spacers on every rod.

**GUIDES** - Extruded aluminum in mill finish, polypropylene pile runners and mounting member. Bolt to the wall and support the weight of the grille.

**BOTTOM BAR** - Heavy-duty extruded aluminum in mill finish.

**WIRELESS SENSING EDGE** - UL 325 Compliant sensing edge.

## OPTIONAL MATERIALS AND FINISHES

- ▶ Aluminum in clear and color anodized finish
- ▶ Stainless steel 300 series in #4 finish
- ▶ SpectraShield® powder coating in more than 180 colors (not available on curtains)
- ▶ Hoods available as an option. Galvanized steel with exclusive GalvaNex™ polyester enamel finish in Gray or SpectraShield® Powder Coating in more than 180 colors; aluminum in mill, clear and color anodized finish; or 300 series stainless steel in #4 finish

## ALSO AVAILABLE IN

- ▶ Service Door
- ▶ Insulated Door
- ▶ Counter Shutter
- ▶ ScreenGard™ Perforated Door

## OPERATIONAL AND STRUCTURAL REQUIREMENTS

### **Motor operation required.**

This product is supported by a guide assembly attached to the jamb construction or structural tubes attached to either wall or overhead construction. No additional header support is required unless hood supports are mandated by a larger opening width.

## CUSTOM-DESIGNED SOLUTIONS

Contact our experienced Architectural Design Support Team for help in customizing our products to fit your specific application.

 [www.architectdoorhelp.com](http://www.architectdoorhelp.com)

