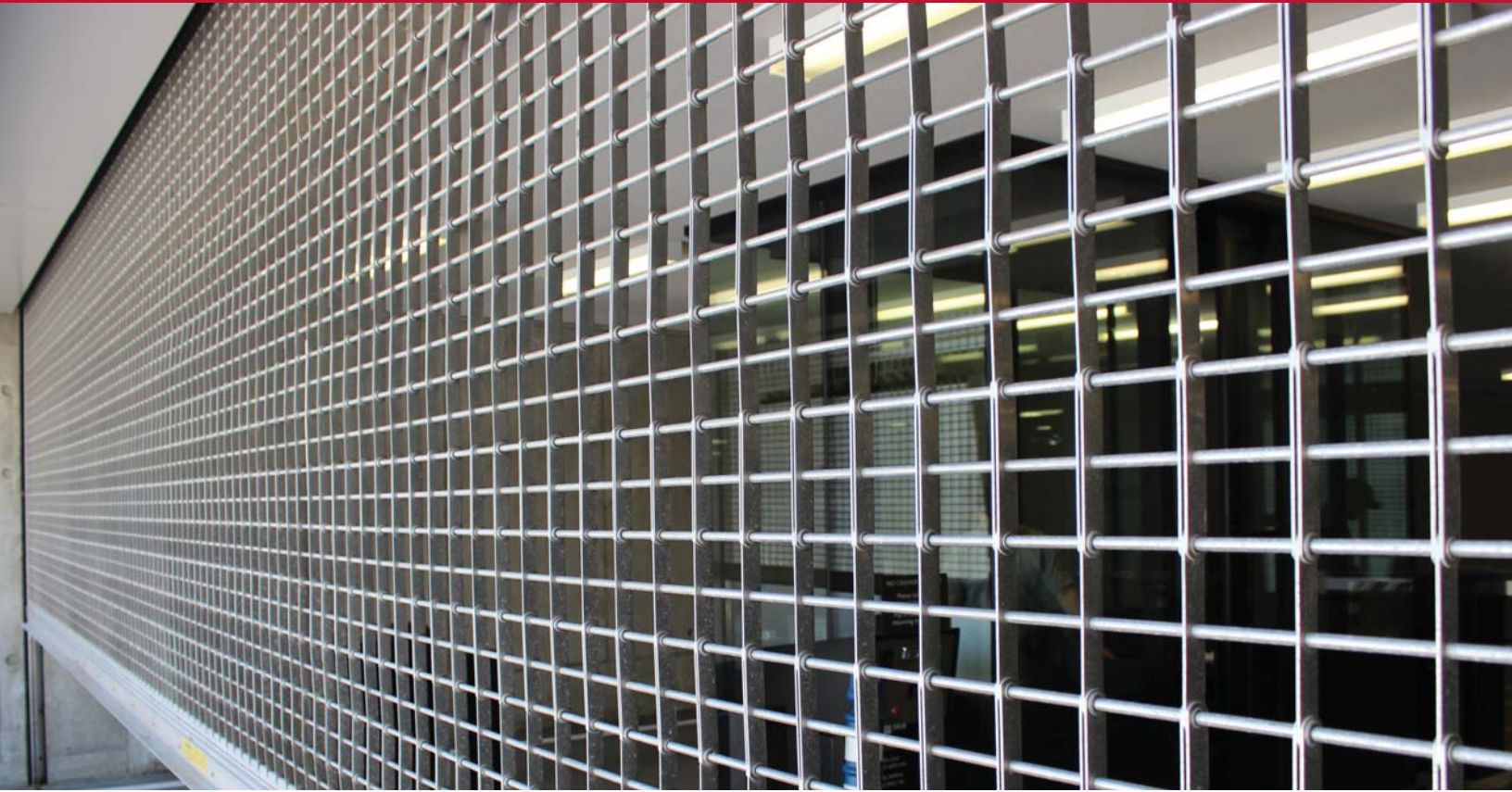


ROLLING GRILLES

VISIONAIRE® AND VISTAGARD™

Models ESG10, ESG12 and ESG11



SECURITY, VISIBILITY AND AIR FLOW IN ELEGANT DESIGNS

CUSTOM-BUILT, SECURE SEPARATION

Durable Rolling Security Grilles keep areas off-limits and can be configured to meet your desired design aesthetic. Built to an exact opening size, the commercial-duty design is durable, requires little-to-no maintenance and offers ease of repair with readily available parts. Install these grilles behind storefront glass, at service window openings, in schools, malls, healthcare settings and more.

OUT-OF-SIGHT, COMPACT STORAGE

For convenience, the curtain stores in an overhead coil supported by the guide extensions.



Open Air Straight Pattern

VISIONAIRE® MODEL ESG10

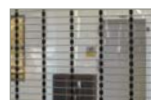
Available in 3", 6" or 9" spacing



Open Air Brick Pattern

VISIONAIRE® MODEL ESG12

For superior, high-cycle durability.



Solid, Clear Protection

VISTAGARD™ MODEL ESG11

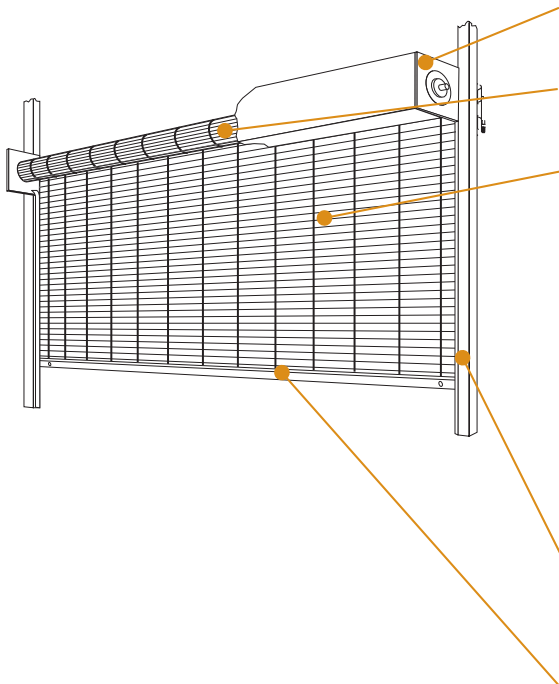
Flame-retardant polycarbonate material provides protection from refuse and the theft of small articles through the curtain. Glazed with Lexan®, curtain panel modules are secured by molded nylon links.

800.294.4358 | cooksondoor.com

CornellCookson, Inc. is an ISO 9001:2008 registered company
3/2017

Preferred door solutions®
COOKSON

STANDARD COMPONENT MATERIALS AND FINISHES



BRACKETS - Steel with SpectraShield® powder coating in Gray. Bolt to guide assembly and support counter-balance shaft and curtain.

COUNTER-BALANCE SHAFT - Steel. Supports curtain and contains torsion springs for assisting operation.

CURTAIN

VISIONAIRE MODEL ESG10

5/16" Solid aluminum rods (alloy 5056 H32) at 2" on center with vertical chains of eyeletted aluminum spaced at 9" apart. Chains may also be specified at 6" or 3" apart.

VISIONAIRE MODEL ESG12

5/16" Solid aluminum rods (alloy 5056 H32) at 2" on center. Heavy-duty aluminum links are staggered by tube spacers.

VISTAGARD MODEL ESG11

5/16" Solid aluminum rods (alloy 5056 H32) at 2" on center with vertical chains of eyeletted links spaced at 12" apart. Flame-retardant polycarbonate panels offer solid, clear protection.

GUIDES - Extruded aluminum in mill finish, polypropylene pile runners and mounting member. Bolt to the wall and support the weight of the grille.

BOTTOM BAR - Heavy-duty extruded aluminum in mill finish. For widths greater than 27'-4", bar is reinforced with aluminum angle(s).

OPERATION AND STRUCTURAL REQUIREMENTS

Hand-crank, push-up and a variety of motor options are available.

This product is supported by a guide assembly attached to the jamb construction or structural tubes attached to either wall or overhead construction. No additional header support is required unless hood supports are mandated by a larger opening width.

OPTIONAL MATERIALS AND FINISHES

- ▶ Aluminum in clear and color anodized
- ▶ Stainless steel - 300 series in #4 finish (ESG10 and ESG11 only)
- ▶ SpectraShield® Powder Coating in more than 180 colors - not available on curtain
- ▶ Hot-dip galvanizing on steel rods (ESG10 only)
- ▶ Hoods available as an option. Galvanized steel with exclusive GalvaNex™ polyester enamel finish in Gray or SpectraShield Powder Coating in more than 180 colors; aluminum in mill, clear and color anodized finish; or 300 series stainless steel with a #4 finish



CUSTOM-DESIGNED SOLUTIONS

Contact our experienced Architectural Design Support Team for help in customizing our products to fit your specific application. Call 800.294.4358 ext. 1280 • ads@cooksondoor.com