

HIGH PERFORMANCE LINE

EXTREME[®] 300 SERIES MICROCOIL[®] GRILLE

Model EPG324C



COMPACT GRILLE WITH PATENTED INTELLIGENT OPERATION

MAXIMIZE YOUR CLEAR OPENING

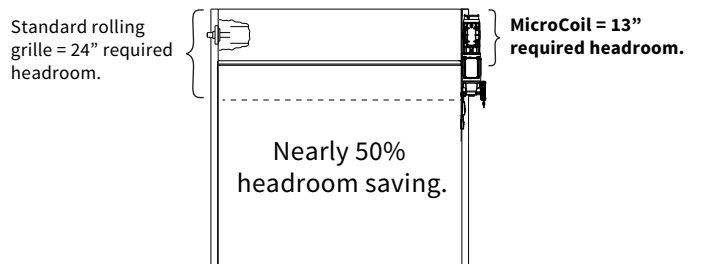
The Extreme 300 Series MicroCoil Grille allows you to maximize your clear opening by reducing the coil size. A smaller coil means that less headroom is required. The Extreme 300 Series MicroCoil Grille requires nearly 50% less headroom when compared to other high cycle grilles on the market.

SMOOTH HIGH-SPEED OPERATION

The compact operator features a variable-frequency drive that ensures a soft start and stop - reducing wear and tear on both the grille and the operator. The Extreme 300 Series MicroCoil Grille quietly operates at speeds of up to 24 inches per second. In addition, the operator's direct drive design means there's no sprocket and chain to wear or replace.

ENGINEERED FOR LONGEVITY

To ensure maximum uptime, the Extreme 300 Series MicroCoil Grille has a springless design which requires no maintenance, other than routine checks, and no replacement parts for 300K cycles. It accepts virtually all activation systems and features a 2 year operator warranty and a 2 year/300,000 cycle component warranty.

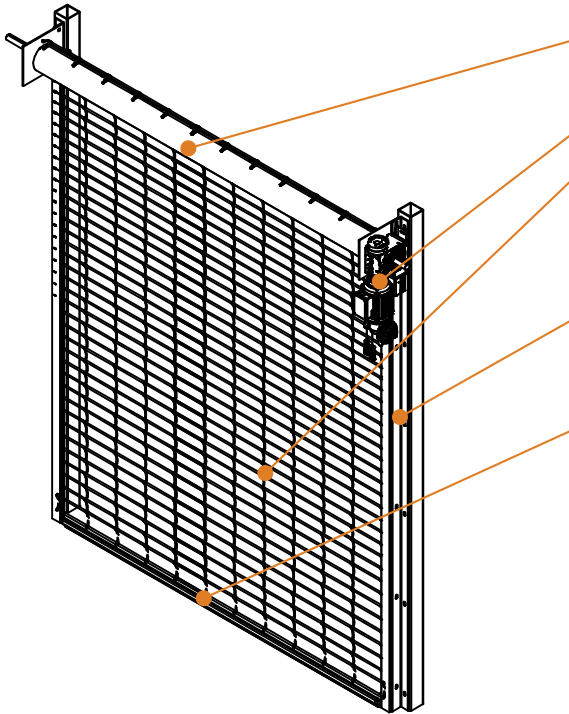


800.294.4358 | cooksondoor.com

CornellCookson, Inc. is an ISO 9001:2008 registered company
9.2017

Preferred door solutions.[®]
COOKSON

STANDARD COMPONENT MATERIALS AND FINISHES



SPRINGLESS SHAFT - Steel pipe. Design reduces maintenance requirements and facilitates cycle capacity.

MOTOR - Compact, direct drive operator with no roller chains or sprockets.

CURTAIN - Self-stacking/nesting lines in mill finish aluminum, 5/16" aluminum rods in mill finish spaced 2.8"-3.9". Aluminum tube spacers on every rod. Links are always made of 304 stainless steel regardless of finish. Grilles are available for opening sizes up to 26' wide x 14' high in aluminum.

GUIDES - Extruded aluminum in mill finish with self-lubricating anti-wear strips to greatly reduce friction and curtain wear. Includes a fully replaceable UHMW bellmouth.

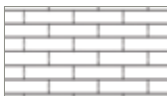
BOTTOM BAR - Compact extruded aluminum.

A CHOICE OF CURTAIN PATTERNS

Two different curtain designs provide both visibility and ventilation.



Straight



Brick

OPERATION AND STRUCTURAL REQUIREMENTS

► Motor operation required

This product is supported by a guide assembly attached to the jamb construction or structural tubes attached to either wall or overhead construction. No additional header support is required unless hood supports are mandated by a larger opening width.

► **Withstands up to 20 PSF static design pressure as standard. Up to 40 PSF as an option.**

UNIQUE FEATURES

INTELLIGENT COMMUNICATION - The Apex™ SmartController (NEMA 4X) features plug and play connections to operator and standard sensors to reduce installation time. Its LCD screen provides step-by-step instructions for door commissioning, electronic limit setting, and status/ error messaging. It is also set-up to easily accept virtually all activation and safety devices.

MONITORED PROTECTION, EVEN AT HIGH SPEEDS - UL 325-2010 (NEMA 4X) compliant photo eye sensors allow for momentary contact operation - useful in parking garages and other high-use openings. Interruption of the photo eye beam before the door fully closes causes the door to immediately halt downward travel and reverse direction to return to the fully open position.

SAFETYGARD LIGHT CURTAIN TECHNOLOGY - The 6' tall light curtain is installed within the guide and blends into the guide construction with trim. If the grille is cycling and an object passes through the curtain beams, the door will immediately halt downward travel and reverse direction to return to the open position.

OPTIONAL MATERIALS AND FINISHES

- Aluminum in clear anodized finish
- Stainless steel 300 series in #4 finish
- SpectraShield® powder coating in more than 180 colors (not available on curtains)
- Hoods available as an option. Galvanized steel with exclusive Galvanex™ polyester enamel finish in gray or SpectraShield powder coating in more than 180 colors; aluminum in mill, clear and color anodized finish; or 300 series stainless steel with #4 finish.

*Links are made of 304 stainless steel regardless of finish.



CUSTOM-DESIGNED SOLUTIONS

Contact our experienced Architectural Design Support Team for help in customizing our products to fit your specific application. Call 800.233.8366 ext. 4551 • architecturaldesignsupport@cornellcookson.com