

ROLLING INSULATED COUNTER DOOR

Model ESC30



A UNIQUE, FIRST-OF-ITS-KIND INSULATED COUNTER DOOR

UNIQUE INSULATED CURTAIN DESIGN

Our Insulated Counter Door is the first and only one of its kind, featuring a patented PVC back slat that holds the melamine foam insulation in place within the curtain. Its design is compact and aesthetically pleasing, offering a more streamlined look than traditional rolling doors.

REDUCED SOUND TRANSMISSION

The insulated curtain allows for a Sound Transmission Class (STC) rating of 26 for the entire assembly, making it ideal for finished openings that require an insulated closure. All configurations are evaluated per ASTM E90, based on testing a complete operable assembly.

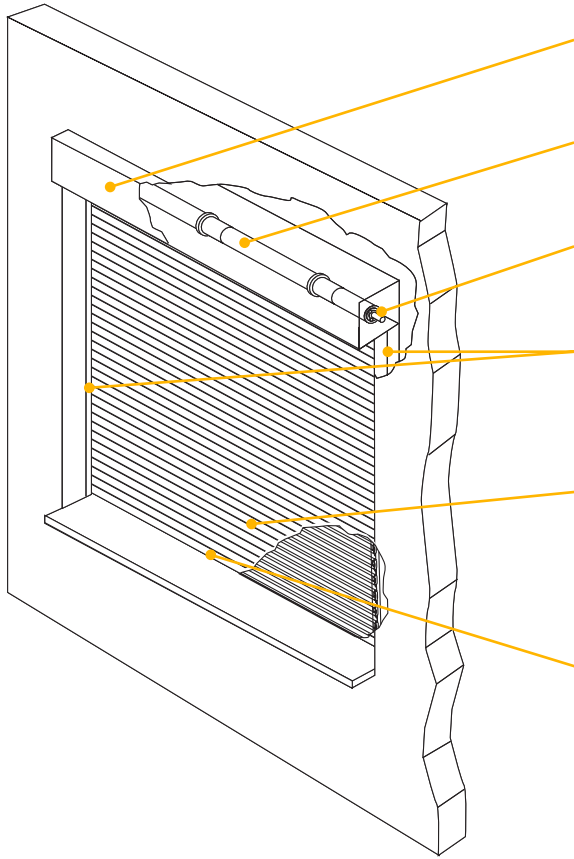
ELIMINATION OF METAL TO METAL CONTACT

If you need quieter operation than our standard counter door, the patented PVC backer slat used on the Insulated Counter Door eliminates metal-to-metal contact, reducing operational noise and preserving the life of the finish.

IDEAL FOR SERVICE OPENINGS

Used in both interior and exterior applications, our Insulated Counter Door is ideal for cafeterias, stadiums, arenas, hospitality and educational facilities, as well as public spaces, healthcare offices or any application that needs an insulated rolling counter door.

ROLLING COUNTER DOOR **INSULATED ROLLING COUNTER DOOR Model ESC30**



STANDARD COMPONENT MATERIALS AND FINISHES

HOOD - Galvanized steel with GalvaNex™ polyester enamel finish to match curtain.

COUNTER-BALANCE SHAFT - Steel. Supports curtain and contains torsion springs for assisting operation.

BRACKETS - Steel with powder coating to match curtain. Bolt to guide assembly and support counter-balance shaft and curtain.

GUIDES - Two-piece clear anodized extruded aluminum in clear anodized finish with polypropylene pile runners. Side rail assemblies bolt to the wall and support the entire weight of the unit.

INSULATED CURTAIN - Galvanized steel with GalvaNex™ polyester enamel finish in Gray, Tan, Black, or White with a gray PVC back slat that holds the melamine foam insulation in place. The slat has an R-value of 2.0 as calculated using the ASHRAE Handbook of Fundamentals.

BOTTOM BAR - Clear anodized extruded aluminum equipped with vinyl astragal/weather seal. Lock mechanisms available.

OPTIONAL MATERIALS AND FINISHES

- ▶ Aluminum in clear anodized finish
- ▶ Stainless steel - 300 series in #4 finish
- ▶ SpectraShield® Powder Coating in more than 180 colors
- ▶ For a more durable finish, consider upgrading to our GalvaNex Ultra™ or SpectraShield Ultra™ powder coat finish.
 - It is a polyester based textured wear resistant clear coat that provides increased resistance to corrosion of the curtain and improved durability against normal abrasion and scratching due to cycling.

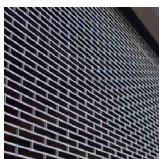
Brackets, Guides and Bottom Bar

- ▶ Hot-dip galvanizing on steel components
- ▶ Zinc-enriched, corrosion-resistant powder coating in Gray

OPERATION AND STRUCTURAL REQUIREMENTS

Hand-crank, push-up and a variety of motor options are available

This product is supported by a guide assembly attached to the jamb construction. No additional header support is required unless hood supports are mandated by a larger opening width.



CUSTOM-DESIGNED SOLUTIONS

Contact our experienced Architect Design Support Team for help in customizing our products to fit your specific application.

 www.architectdoorhelp.com

800.294.4358 | cooksondoor.com

CornellCookson, LLC. is an ISO 9001:2015 registered company
8.2025

COOKSON Preferred door solutions.®