

ROLLING COUNTER DOOR

# ROLLING COUNTER DOOR

Models ESC10 & ESC20 (integral frame and sill)



## AN ELEGANT, UNOBTRUSIVE WAY TO SECURE FINISHED OPENINGS

### SMALLER COMPONENTS DELIVER A CLEAN, PROFESSIONAL APPEARANCE

Rolling Counter Doors are used in both interior and exterior applications. Built to exact opening specifications using compact guides, slats, brackets and hood, they offer a more streamlined look than traditional rolling doors. When a full door with compact door components is desired, full height units are available.

### A GREAT CHOICE FOR SERVICE OPENINGS

Counter Doors are often used in cafeterias, stadiums, arenas, hospitality and educational facilities, public spaces, healthcare offices, and many other locations.

### COUNTER DOORS WITH INTEGRAL FRAMES AND SILLS WORK WITH INTERIOR RATED AND NON-RATED WALLS

Offering a custom appearance (with no exposed edges) and fast installation, slip-in units arrive ready to be set into existing walls. Units may be used in masonry or drywall openings from 4" to 13" thick.

### A SPACE-SAVING DESIGN OPTION

As an alternate design, concealed tubular motors provide a solution for strict dimensional limitations around the header or aesthetic requirements that lend themselves to its smaller, compact design.

800.294.4358 | [cooksondoor.com](http://cooksondoor.com)

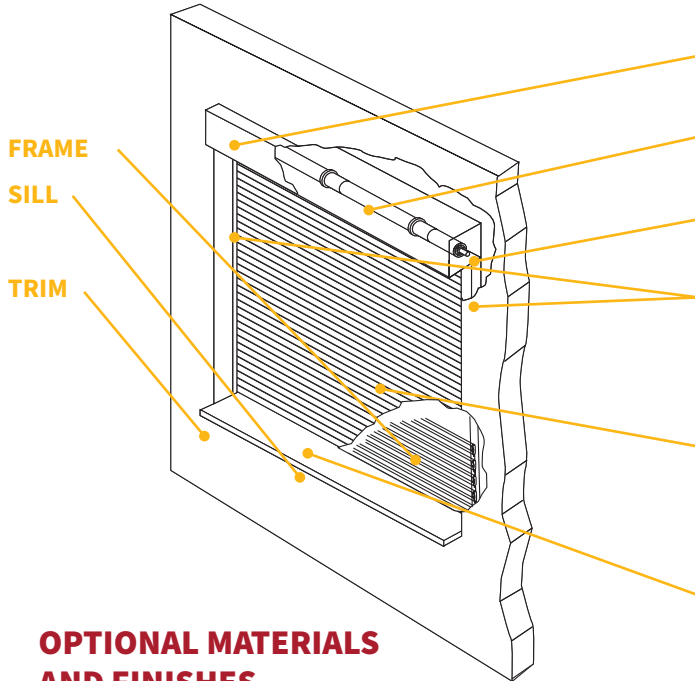
CornellCookson, LLC. is an ISO 9001:2015 registered company

7.2022

Preferred door solutions.<sup>®</sup>  
**COOKSON**

# ROLLING COUNTER DOOR **ROLLING COUNTER DOOR** Models ESC10 & ESC20 (integral frame and sill)

## STANDARD COMPONENT MATERIALS AND FINISHES



**HOOD** - Galvanized steel with GalvaNex™ polyester enamel finish to match curtain.

**COUNTER-BALANCE SHAFT** - Steel. Supports curtain and contains torsion springs for assisting operation.

**BRACKETS** - Steel with powder coating to match curtain. Bolt to guide assembly and support counter-balance shaft and curtain.

**GUIDES** - Two piece clear anodized extruded aluminum in clear anodized finish with polypropylene pile runners. Side rail assemblies bolt to the wall and support the entire weight of the unit.

**CURTAIN** - Galvanized steel with GalvaNex™ polyester enamel finish in Gray, Tan, or White. Interlocking roll-formed flat-faced slats with end locks riveted to the ends of alternate slats to maintain curtain alignment and prevent wear.

**BOTTOM BAR** - Clear anodized extruded aluminum equipped with vinyl astragal/weather seal. Lock mechanisms available.

## OPTIONAL MATERIALS AND FINISHES

- ▶ Aluminum in clear and color anodized - Only available for ESC10 model
- ▶ Stainless steel - 300 series in #4 finish
- ▶ SpectraShield® Powder Coating in more than 180 colors
- ▶ Although it is standard on the ESC10 model, Galvanized steel with GalvaNex™ polyester enamel finish is offered as an option on the ESC20 model
- ▶ For a more durable finish, consider upgrading to our GalvaNex™ Ultra™ or SpectraShield® Ultra™ powder coat finish.

### Brackets, Guides and Bottom Bar

- ▶ Hot-dip galvanizing on steel components
- ▶ Zinc-enriched, corrosion-resistant powder coating in Gray

## OPTIONAL WINDLOAD

The rolling counter door can be configured to withstand windload requirements of up to 40 PSF and impact ratings of up to 50 FPS.

## WITH INTEGRAL FRAME AND SILL

**HOOD** - Stainless steel

**BRACKETS** - Stainless steel.

**CURTAIN** - Stainless steel

**FRAME** - Welded stainless steel head and jambs. Guide groove is incorporated into jamb design.

**SILL** - Stainless steel provides a seamless, custom look.

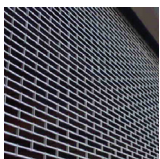
**TRIM** - Stainless steel jamb trim angles. Head trim optional

\*All stainless steel is 300 series in #4 finish

## OPERATION AND STRUCTURAL REQUIREMENTS

**Hand-crank, push-up and a variety of motor options are available**

This product is supported by a guide assembly attached to the jamb construction. No additional header support is required unless hood supports are mandated by a larger opening width.



## CUSTOM-DESIGNED SOLUTIONS

Contact our experienced Architectural Design Support Team for help in customizing our products to fit your specific application.

 [www.architectdoorhelp.com](http://www.architectdoorhelp.com)