

# SG MOTOR OPERATOR



## Heavy Duty Gearhead Operators Designed for Cookson Doors

The Cookson Company SG Gearhead motor operators are a compact heavy duty operator that is designed for rolling door applications cycling up to 50 cycles per day. The compact design allows the motor operator to fit within the coil height dimensions. The motor operator is prewired to the attached control panel simplifying field wiring. The Cookson SG Gearhead motor operator is designed specifically for Cookson Rolling Door products and is simple, compact and very durable.

### Available in 5 Sizes

The SG Gearhead motor operator is available in 1/2 HP, 3/4 HP, 1 HP, 1 1/2 HP and 2 HP sizes. Motors up to and including 1 1/2 HP are available in 115 and 230 Volts 1 Phase and 230 and 460 Volts 3 Phase. The 2 HP motor operator is only available in 230 and 460 Volts 3 Phase.

## Heavy Duty Components

The components of the SG motor operator are designed for an environment that requires heavy duty construction. The motor is Totally Enclosed Fan Cooled (TEFC), the gear reducer consists of lubricated oversized heavy duty gears, the brake is maintenance free solenoid activated and the control panel is in a NEMA 1 enclosure.

## Safety Controls

The Cookson SG operator is prewired for sensing edges, photo eyes and other detection safety devices. It also has built in logic which stops a closing door if either an open, stop or remote transmitter button is pressed. The SG operator has a radio control terminal strip on the outside of the control panel to facilitate the connection.

## Exceptional 2-Year Warranty

The Cookson SG operator comes with a 2 year warranty, which is the best in the industry. With uncompromising quality the SG operator is designed to be used with Cookson Rolling Doors to provide years of flawless operation.

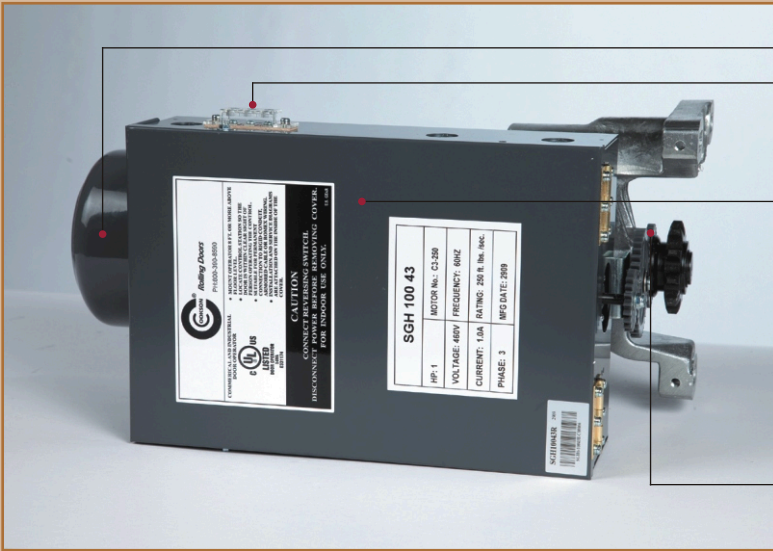


**The Cookson Company, Inc.**

Dimensions shown are for initial design. For final design, specifications, and to view the complete Cookson Product line, visit [cooksondoor.com](http://cooksondoor.com)

# THE PREFERRED

# MOTOR OPERATOR



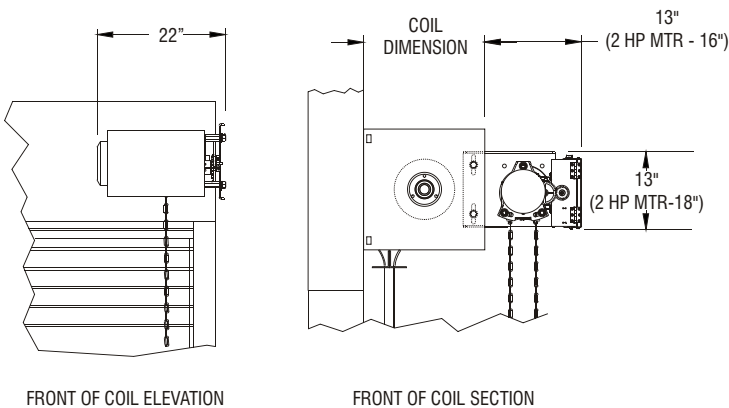
- Continuous Duty Totally Enclosed Fan Cooled Motor (TEFC)  
1/2 HP, 3/4 HP, 1 HP, 1 1/2 HP and 2 HP
- Available in 115 V, 230 V 1 Phase and 230V, 460V 3 Phase  
(2 HP only available in 230V, 460V 3 Phase)
- Pre-Wired Control Panel in NEMA 1 Enclosure mounted on Motor Operator
- Auto-Reset Thermal Overload Protection
- Pre-Wired for Sensing Edge and Sensing Devices
- Exterior Radio Receiver Control Terminal
- Gear Box with Oversized Heavy Duty Lubricated Gears
- Geared Limit Switches stop Door in Open and Closed Position
- Maintenance-Free Solenoid Brake
- Emergency Chain Hoist

## FULL LOAD AMPS CHART

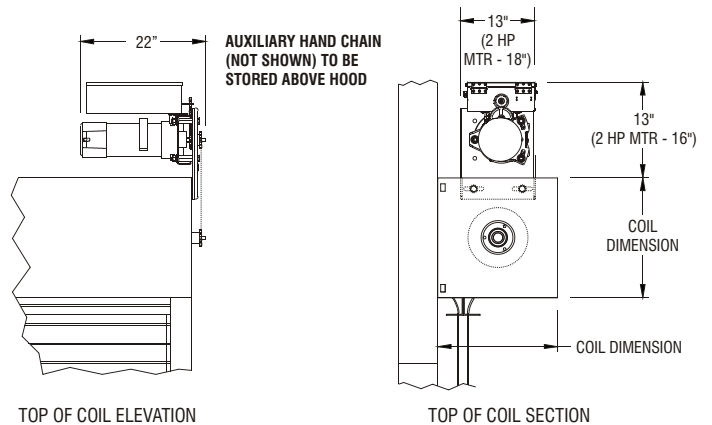
Volt	Phase	Cycle	1/2 HP	3/4 HP	1HP	1 1/2 PH	2HP
115	1	60Hz	5.0	6.0	6.0	8.0	
230	1	60Hz	3.0	3.0	3.0	4.0	
230	3	60Hz	1.3	1.6	1.9	3.0	4.0
460	3	60Hz	0.65	0.8	1.0	1.5	2.0

## MOUNTING OPTIONS

### STANDARD



### OPTIONAL



**The Cookson Company, Inc.**

© 2010

2417 S. 50th Avenue  
Phoenix, AZ 85043

Phone: (800) 390-8590  
FAX: (866) 448-6804

[information@cooksondoor.com](mailto:information@cooksondoor.com)