

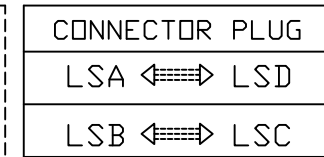
SG Operator 208 / 230VAC 1 Phase Right Hand

For 1/2HP, 3/4HP, 1HP and 11/2HP

ED509 R

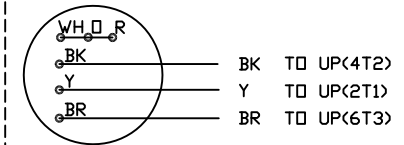
NOTES:

- R-BRAKE RELAY (COIL 220VAC)
- LSA-LS1 & LS3 MICROSWITCH CONNECTOR
- LSB-LS2 & LS4 MICROSWITCH CONNECTOR
- LSC-OPEN CONTROL CONNECTOR
- LSD-CLOSE CONTROL CONNECTOR

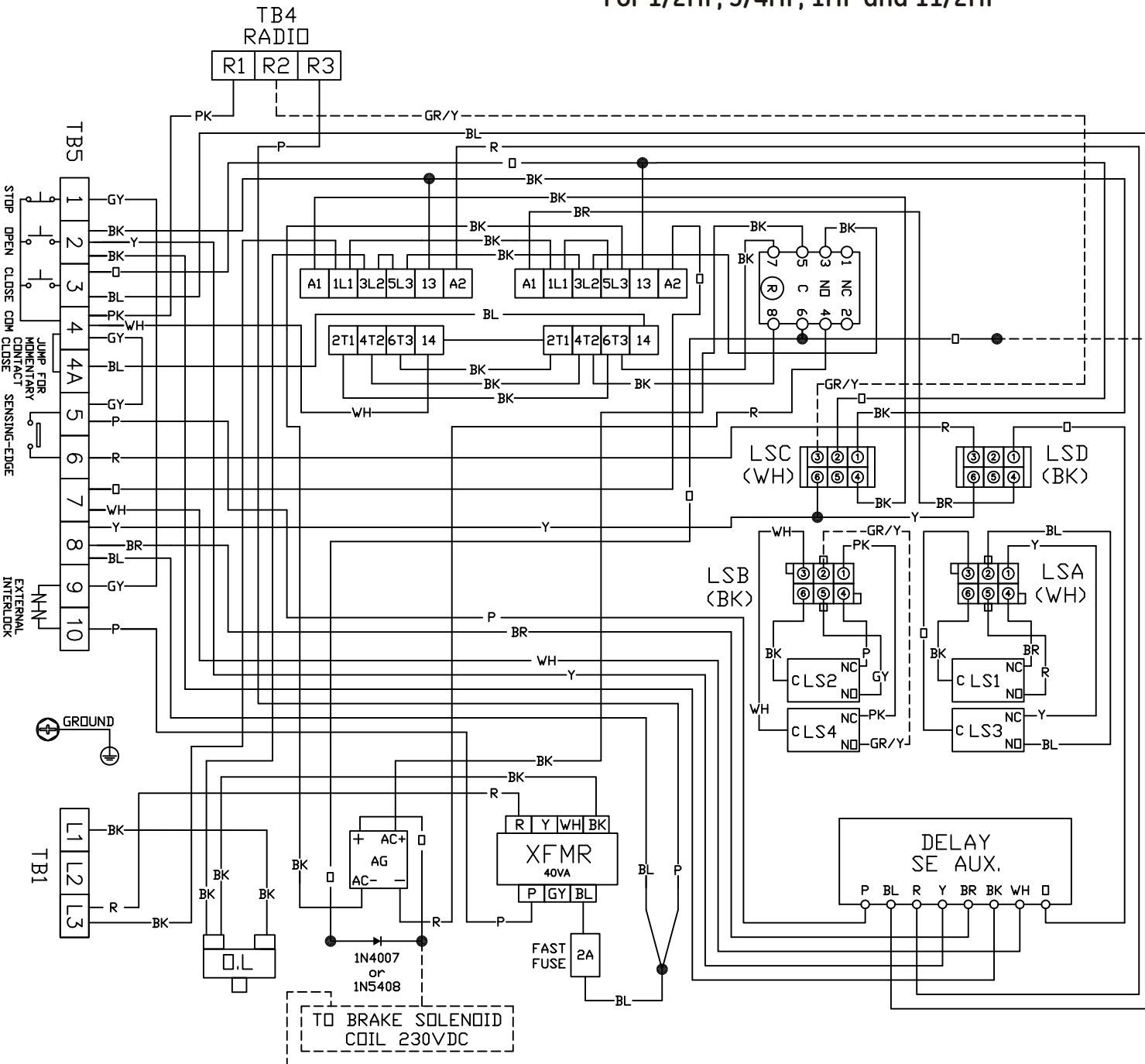


TERMINAL NUMBER:

- 1 CONTROL STATION-STOP
- 2 CONTROL STATION-OPEN
- 3 CONTROL STATION-CLOSES
- 4 CONTROL STATION-COMMON
- 4&4A JUMP FOR MOMENTARY CONTACT CLOSE
- 5&6 SENSING-EDGE (S.E.) CONNECTION
- 7&8 DOOR CLOSING WARNING SIGNAL 24VAC
- 9&10 EXTERNAL INTERLOCK



208V/230V 1 PHASE
MOTOR CONNECTION



TO BRAKE SOLENOID
COIL 230VDC