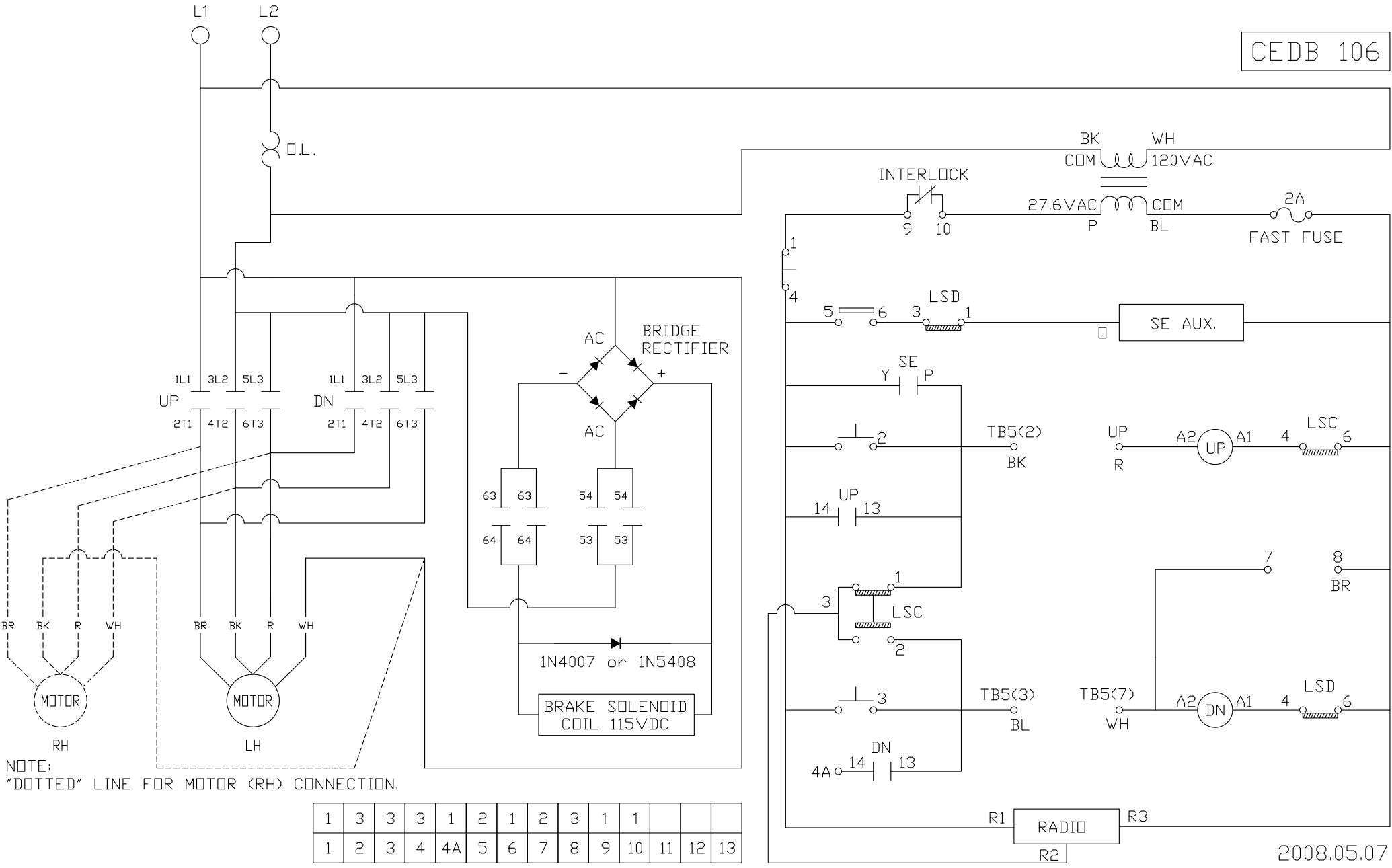


SG Operator 115VAC 1 Phase For 2HP

CEDB 106



NOTE:
"DOTTED" LINE FOR MOTOR (RH) CONNECTION.

| | | | | | | | | | | | | | |
|---|---|---|---|----|---|---|---|---|---|----|----|----|----|
| 1 | 3 | 3 | 3 | 1 | 2 | 1 | 2 | 3 | 1 | 1 | | | |
| 1 | 2 | 3 | 4 | 4A | 5 | 6 | 7 | 8 | 9 | 10 | 11 | 12 | 13 |