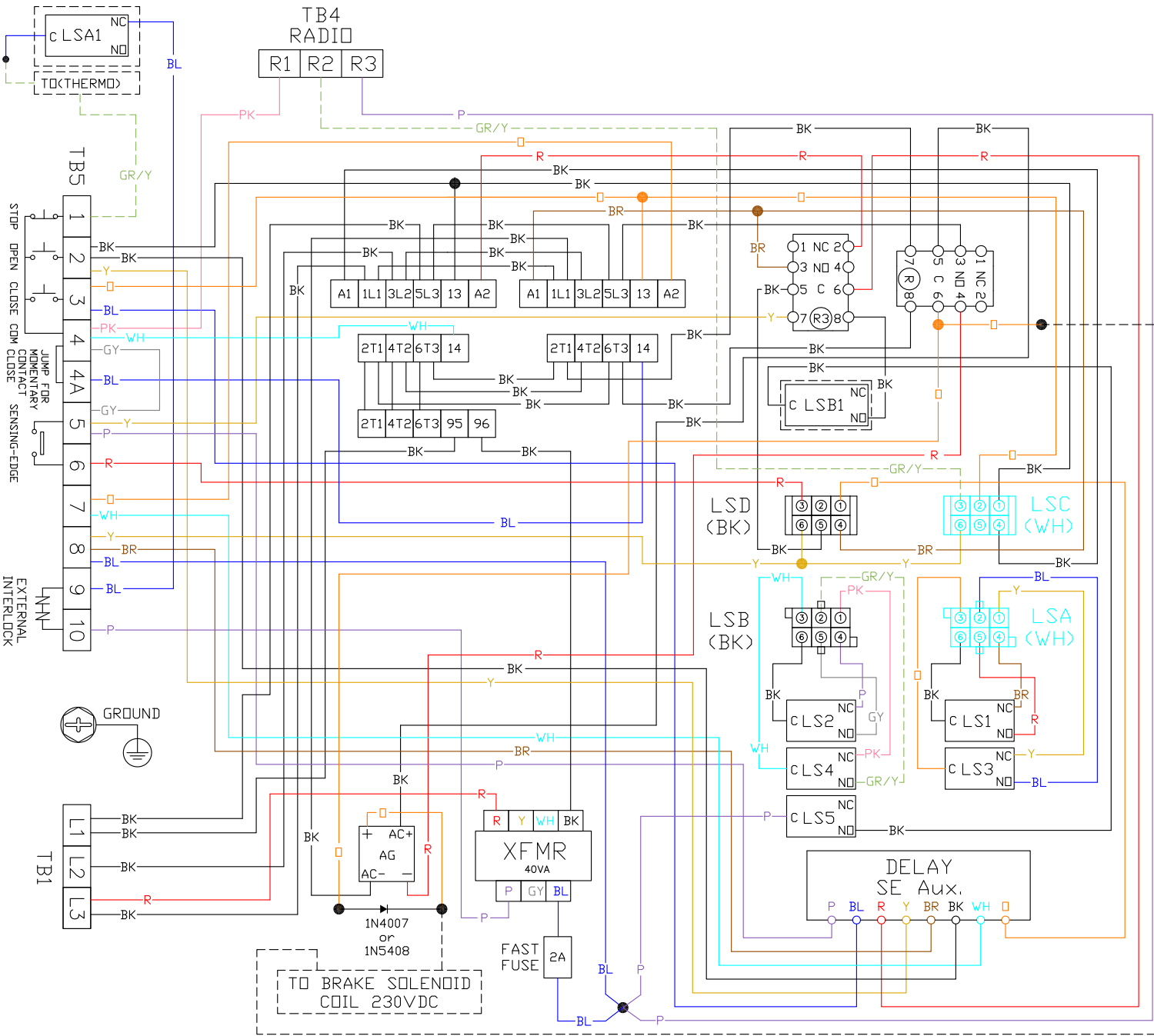


MG Operator with Lock Interlock 208 / 230VAC 3 Phase Left Hand For 1/3HP and 1/2HP

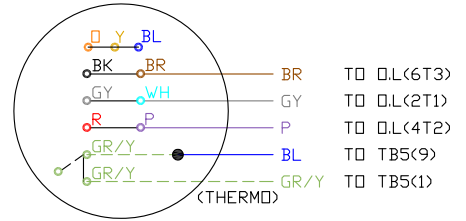


EN 305 L

- NOTES:
- R-BRAKE RELAY (COIL 220VAC)
 - R3-INTERLOCK RELAY (COIL 24VAC)
 - LSA-LS1 & LS3 MICROSWITCH CONNECTOR
 - LSB-LS2 & LS4 MICROSWITCH CONNECTOR
 - LSC-OPEN CONTROL CONNECTOR
 - LSD-CLOSE CONTROL CONNECTOR
 - LS5-INTERNAL INTERLOCK MICROSWITCH
 - LSA1-MANUAL CUT-OFF MICROSWITCH
 - LSB1-INTERNAL INTERLOCK MICROSWITCH

CONNECTOR PLUG	
LSA	LSC
LSB	LSD

- TERMINAL NUMBER:
- 1 CONTROL STATION-STOP
 - 2 CONTROL STATION-OPEN
 - 3 CONTROL STATION-CLOSE
 - 4 CONTROL STATION-COMMON
 - 4&4A JUMP FOR MOMENTARY CONTACT CLOSE
 - 5&6 SENSING-EDGE (S.E.) CONNECTION
 - 7&8 DOOR CLOSING WARNING SIGNAL 24VAC
 - 9&10 EXTERNAL INTERLOCK



208V/230V 3 PHASE
MOTOR CONNECTION