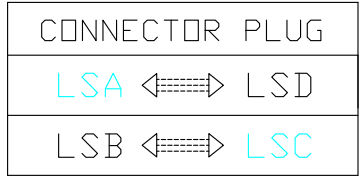


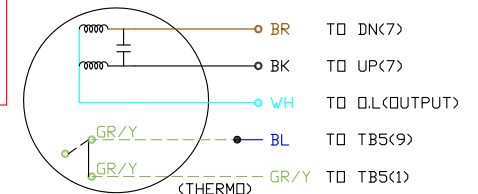
MG Operator with Lock Interlock 230VAC 1 Phase Right Hand For 1/3HP and 1/2HP

EN 204 R

- NOTES:
 UP-OPEN RELAY (COIL 24VAC)
 DN-CLOSE RELAY (COIL 24VAC)
 R1-INTERLOCK RELAY (COIL 24VAC)
 LSA-LS1 & LS3 MICROSWITCH CONNECTOR
 LSB-LS2 & LS4 MICROSWITCH CONNECTOR
 LSC-OPEN CONTROL CONNECTOR
 LSD-CLOSE CONTROL CONNECTOR
 LS5-INTERNAL INTERLOCK MICROSWITCH
 LSA1-MANUAL CUT-OFF MICROSWITCH
 LSB1-INTERNAL INTERLOCK MICROSWITCH

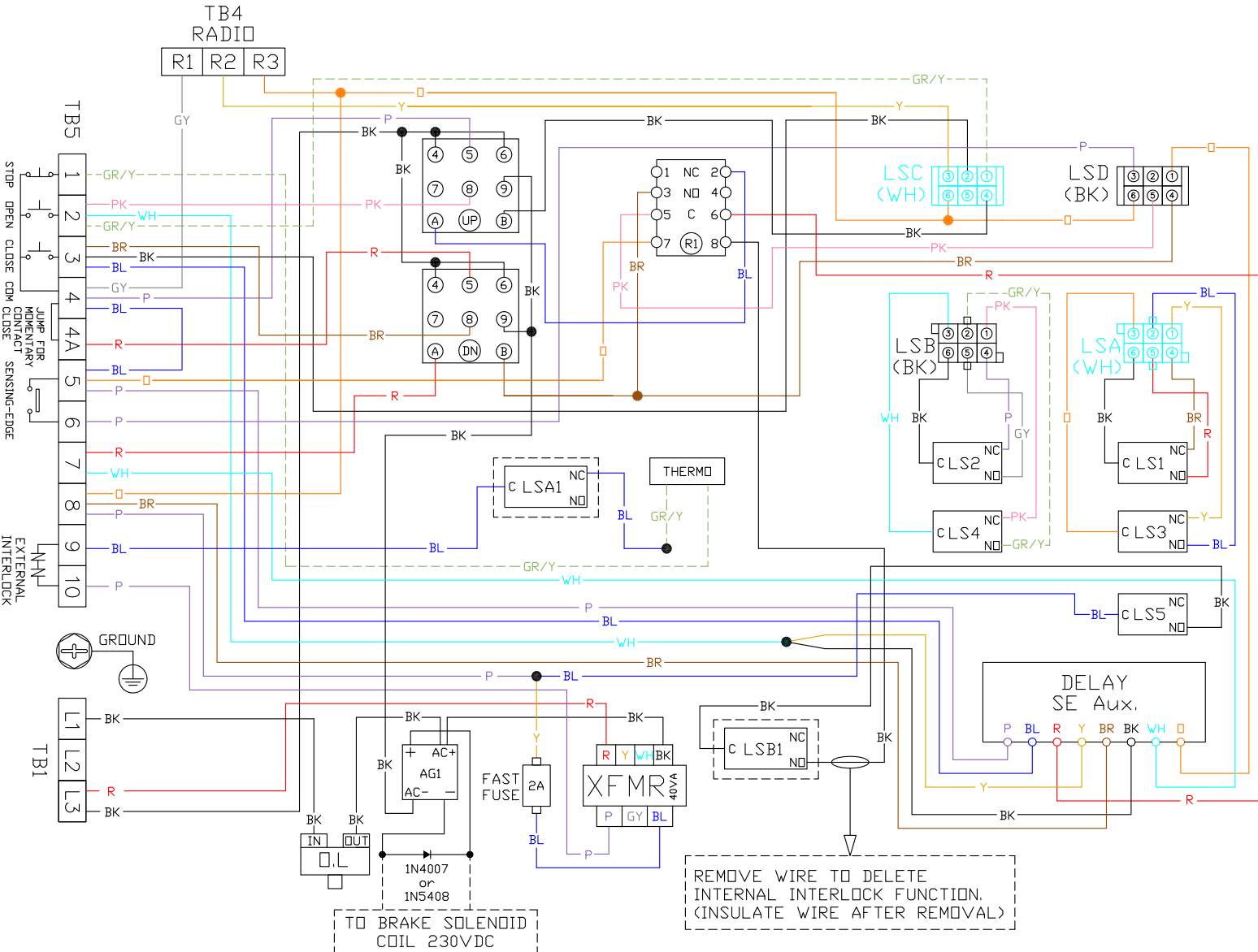


- TERMINAL NUMBER:
 1 CONTROL STATION-STOP
 2 CONTROL STATION-OPEN
 3 CONTROL STATION-CLOSE
 4 CONTROL STATION-COMMON
 4&4A JUMP FOR MOMENTARY CONTACT CLOSE
 5&6 SENSING-EDGE (S.E.) CONNECTION
 7&8 DOOR CLOSING WARNING SIGNAL 24VAC
 9&10 EXTERNAL INTERLOCK



230V 1 PHASE
MOTOR CONNECTION

2008.03.10



REMOVE WIRE TO DELETE
INTERNAL INTERLOCK FUNCTION.
(INSULATE WIRE AFTER REMOVAL)

TO BRAKE SOLENOID
COIL 230VDC