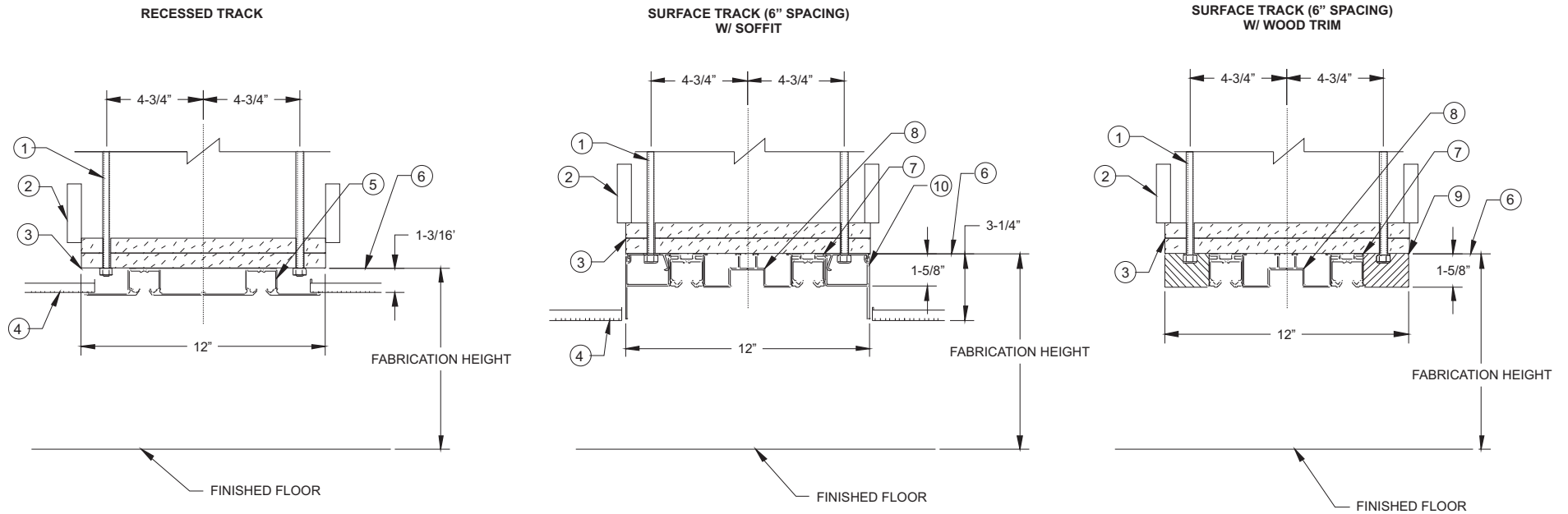


## SOUND KONTROL™ HEAD DETAILS - STRAIGHT DOOR - MANUAL OPERATION DOORS UNDER 14' - 0" FABRICATION HEIGHT



**KEY:**

1. 3/8" DIAMETER THREADED RODS WITH NUTS AND WASHERS ATTACHED TO STRUCTURAL SUPPORT ABOVE BY OTHERS (24" O.C. IN OPENING AND 12" O.C. IN STACK AREA).
2. INSULATE AS REQUIRED FOR SOUND ATTENUATION BY OTHERS.
3. (2) LAYERS 3/4" X 12" X CONTINUOUS PLYWOOD GLUED AND SCREWED TOGETHER WITH STAGGERED JOINTS BY OTHERS. HEADER MUST BE PARALLEL TO THE FLOOR WITH MAXIMUM TOLERANCE OF ±1/4".
4. CEILING BY OTHERS.
5. RECESSED TRACK BY COOKSON.
6. TOP OF TRACK.
7. SURFACE TRACK BY COOKSON.
8. SPACER BY COOKSON.
9. WOOD TRIM BY OTHERS.
10. SOFFIT BY COOKSON (NOT REQUIRED FOR WOOD TRIM APPLICATION).

**NOTE:**  
ALL TRACKS TO BE FASTENED TO THE HEADER BY USING THE #10 X 2-1/2" FLAT HEAD FULL THREAD SCREWS PROVIDED WITH THE DOOR BY COOKSON.