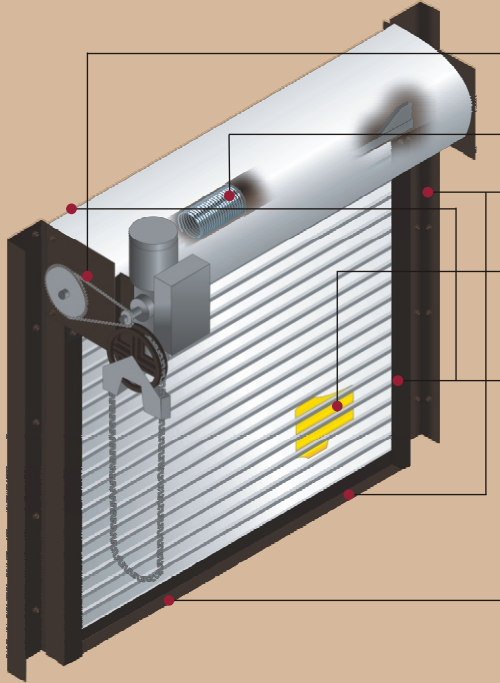


INSULATED FIRE DOORS



- Lifetime warranted Whisper Governor controls automatic closing speed of door to a range of 6" to 24" per second
- Oil tempered torsion springs designed for 50,000 life cycles
- Structural angle guides and bottom bar make door less vulnerable to damage that could prevent the door from fully closing
- Exclusive interlocking slats provide energy efficiency and a finished appearance inside and out. Mineral Wool fire resistant insulation provides a R value of 4, Flame Spread Index of 10 and a STC rating of 27.
- Heavy duty brush weather-strip on the guides and lintel reduce air and dust infiltration.
- The bottom of the door is sealed by a flexible, solid Pyroglass astragal.

Approved sizes

Labeled doors up to 163 square feet not exceeding 13'6" wide or 12' high
 Oversize labels furnished on larger doors not exceeding 24' 0" or 16' 4" high

Available for 4 hour, 3 hour, 1-1/2 hour and 3/4 hour ratings

Approved for all wall types (concrete, masonry, structural steel, structural steel with gypsum board)

Choice of Finishes

FinalCote™ (Standard) (Tan, White, or Gray)

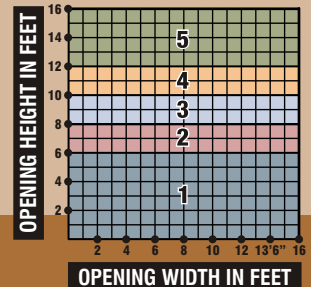
ColorCote™

180 Standard Colors (Optional)

Unlimited Custom Colors (Optional)

Stainless Steel #4 Polish

CHAIN OPERATED INSULATED FIRE DOOR DIMENSIONS FOR TYPICAL DETAILS



CHAIN OPERATED INSULATED FIRE DOOR DIMENSIONS

AREA	COMPONENT DIMENSIONS								
	A	B	C	D	F	G	W	X	Y
1	16.0"	17.0"	6.5"	10.5"	9.0"	24.0"	2.5"	3.0"	3.0"
2	16.0"	17.0"	6.5"	10.5"	16.0"	30.0"	2.5"	3.0"	3.5"
3	18.0"	19.0"	6.5"	10.5"	15.0"	32.0"	2.5"	3.0"	3.5"
4	18.0"	19.0"	6.5"	10.5"	15.0"	32.0"	3.0"	3.0"	4.0"
5	20.0"	21.0"	6.5"	10.5"	15.0"	34.0"	3.0"	3.0"	4.0"

E = 3/8" with astragal; 5/8" with Featheredge

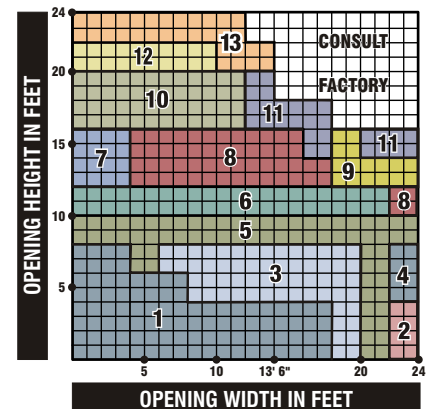
MOTOR OPERATED INSULATED FIRE DOOR DIMENSIONS

AREA	COMPONENT DIMENSIONS								
	A	B	C	D	F	LV	W	X	Y
1	16.0"	17.0"	6.5"	9.5"	6.0"	20.0"	2.5"	3.0"	5.5"
2	16.0"	17.0"	6.5"	9.5"	6.0"	20.0"	2.5"	3.0"	3.0"
3	16.0"	17.0"	6.5"	9.5"	6.0"	31.0"	2.5"	3.0"	2.5"
4	16.0"	17.0"	6.5"	9.5"	6.0"	31.0"	2.5"	3.0"	3.0"
5	18.0"	19.0"	6.5"	9.5"	5.0"	31.0"	2.5"	3.0"	3.0"
6	18.0"	19.0"	6.5"	9.5"	5.0"	31.0"	2.5"	3.0"	3.5"
7	20.0"	21.0"	6.5"	9.5"	4.0"	29.0"	2.5"	3.0"	3.5"
8	20.0"	21.0"	6.5"	9.5"	4.0"	31.0"	2.5"	3.0"	3.5"
9	20.0"	21.0"	6.5"	9.5"	6.0"	30.0"	2.5"	3.0"	3.5"
10	22.0"	23.0"	6.5"	9.5"	3.0"	31.0"	3.0"	3.0"	4.0"
11	22.0"	23.0"	6.5"	9.5"	5.0"	30.0"	3.0"	3.0"	4.0"
12	24.0"	25.0"	6.5"	9.5"	2.0"	31.0"	3.0"	3.0"	5.0"
13	24.0"	25.0"	6.5"	9.5"	4.0"	30.0"	3.0"	3.0"	5.0"

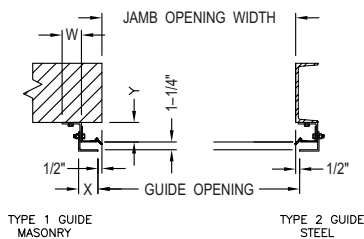


#45 SLAT

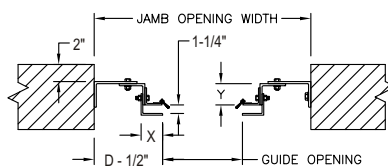
MOTOR OPERATED INSULATED FIRE DOOR DIMENSIONS FOR TYPICAL DETAILS



TYPICAL DETAILS for Service Fire Doors and Insulated Fire Doors



FACE OF WALL GUIDES



BETWEEN JAMB GUIDES