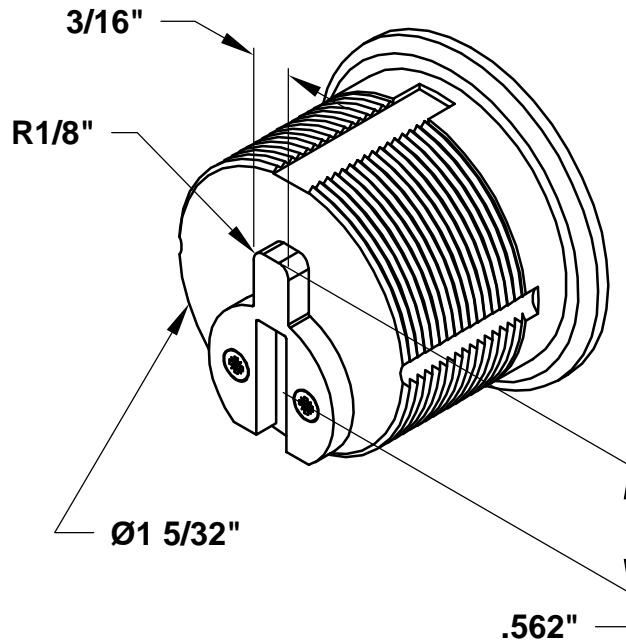





Rolling Doors

## **COOKSON STANDARD MORTISE CYLINDER**

**All lock mechanisms are designed to operate with the mortise cylinder type shown below. End users who will provide their own mortise cylinders need to provide the same cylinder diameter and cam profile.**



**CAM: ADAMS RITE MS STYLE**

ENGINEER APPROVAL	DIM TOLERANCE UNLESS SPECIFIED	REPLACES: NONE	 Rolling Doors	TITLE: <b>STANDARD MORTISE CYLINDER</b>	
	FRACTIONS ±1/16	ECN: 0973		REVISION	
BY:	ANGLES ±1/2°	O.D.D. 6/22/05	DATE: NONE	PG 1 OF 1	
DATE:	DECIMALS .XX ±.01 .XXX ±.005	BY: RG	BY: NONE	PART/DWG. NO: <b>3084</b>	REV: 